

	operation when directly connected to chimney		operation when connected accumulation mass	
	cupola	hot air exchanger	cupola	adaptor
Energy label	A	A+	A+	A+
Operating data				
Nominal heat power	6 kW	9 kW	----	----
Efficiency	> 80 %	> 80 %	----	----
Consumption of wood	1,8 kg/h	2,6 kg/h	6 kg	6 kg
Total heat output of the burning chamber	----	----	21,5 kW	21,5 kW
Mass flow of flue gas	6,1 g/s	6,8 g/s	20 g/s	20 g/s
Required chimney pressure	12 Pa	12 Pa	12 Pa	15 Pa
Required amount of combustion air	20 m ³ /h	25 m ³ /h	60 m ³ /h	60 m ³ /h
Average flue gas temperature				
on the output	232 °C	260 °C	408 °C	416 °C
past 4 m of ceramic accumulation system KMS 300 ¹	----	----	180 °C	----
past accumulation rings (5x acc. ring Ø440mm)	----	----	----	237 °C
Heat distribution				
fireplace insert	66–76 %	66–76 %	37 %	31 %
door glass (single / double)	34 / 24 %	34 / 24 %	34 / 24 %	34 / 24 %
adjoining accumulation mass	----	----	29–39 %	35–45 %
Information for ventilated builds				
Minimal grill area supply / outgoing	600 / 700 cm ²	900 / 1050 cm ²	900 / 1050 cm ²	900 / 1050 cm ²
Minimum distance from insulated areas / floor	80 / 0 mm		80 / 0 mm	
Reference insulation ² ceiling / back wall / side wall / floor	120 / 0 / 80 / 0 mm		120 / 0 / 80 / 0 mm	
Calciumsilicate insulation ³ ceiling / back wall / side wall / floor	90 / 0 / 60 / 0 mm		90 / 0 / 60 / 0 mm	
Information for non-ventilated builds (closed grills)				
Minimum radiant area ⁴	3,5 m ²		5 m ²	
Minimum distance from insulated areas / floor	80 / 20 mm		80 / 20 mm	
Reference insulation ² ceiling / back wall / side wall / floor	160 / 0 / 100 / 20 mm		160 / 0 / 100 / 20 mm	
Calciumsilicate insulation ³ ceiling / back wall / side wall / floor	120 / 0 / 75 / 20 mm		120 / 0 / 75 / 20 mm	
General technical information				
Total weight / lining weight	ca. 191 / 71 kg		ca. 191 / 71 kg	
Burning chamber dimensions (width x depth)	305 x 355 mm			
Combustion air connection	Ø 125 mm			
Use in non-ventilated accumulation builds according to craft rules	suitable			
Tested according to	EN 13229			
Meets values	1. BlmSchV (Stufe2), 15a BVG			

¹ Listed value from testing. For accurate results is evaluation of each system in the Ortner / KOV program necessary.

² Mineral wool according to AGI-Q 132

³ Example SkamoEnclousure Board 225 kg/m³

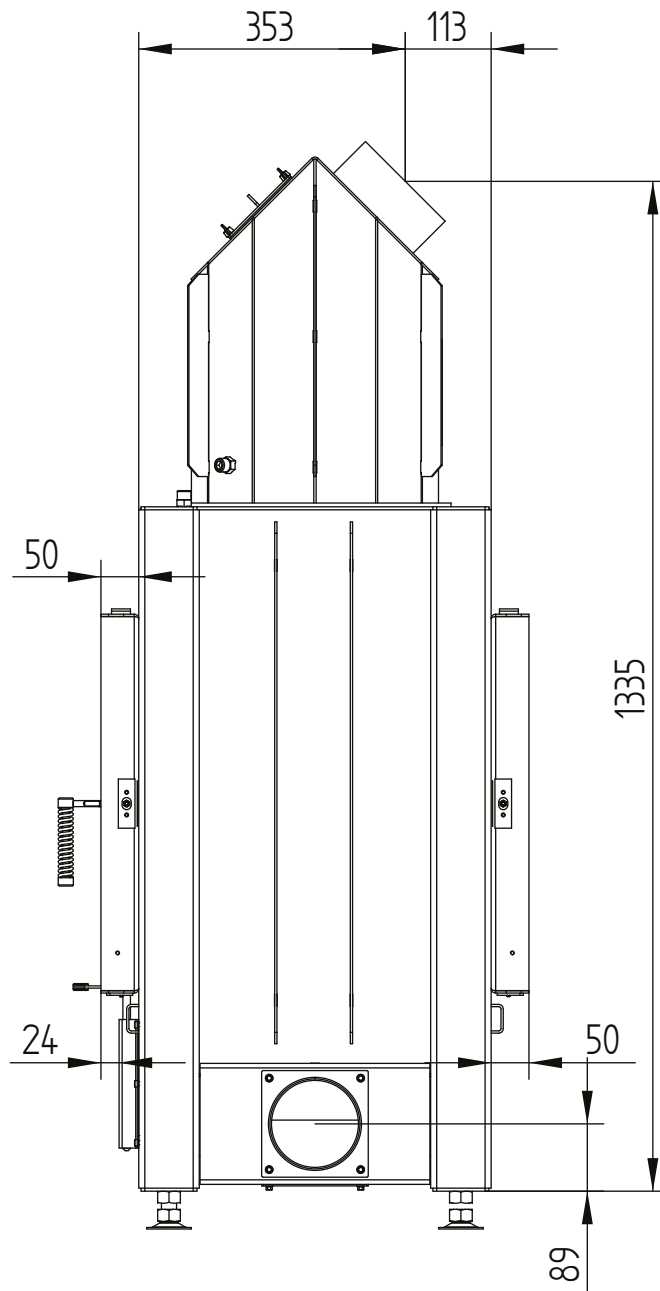
⁴ Depends on accumulation period and material characteristics. Listed values calculated with chamotte stone thickness 30 mm with radiant area 500 W/m²

HAKA 37/50 tunnel

Technical data
Version 2019/08

hot air exchanger 45° / air intake / feet

M 1:10

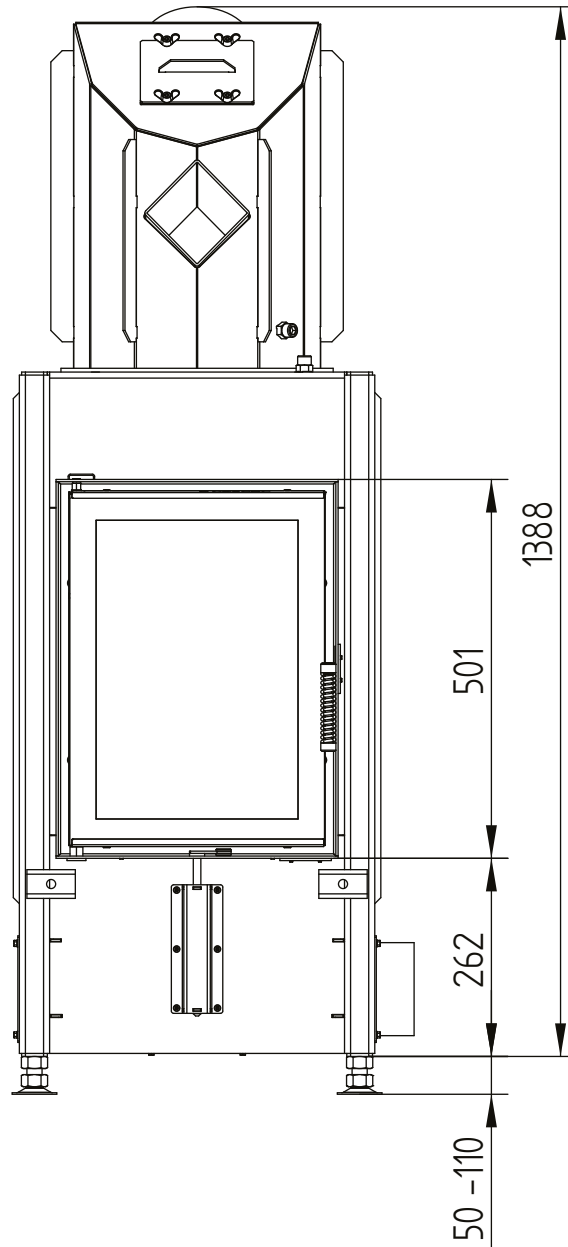


HAKA 37/50 tunnel

Technical data
Version 2019/08

hot air exchanger 45° / air intake / feet

M 1:10

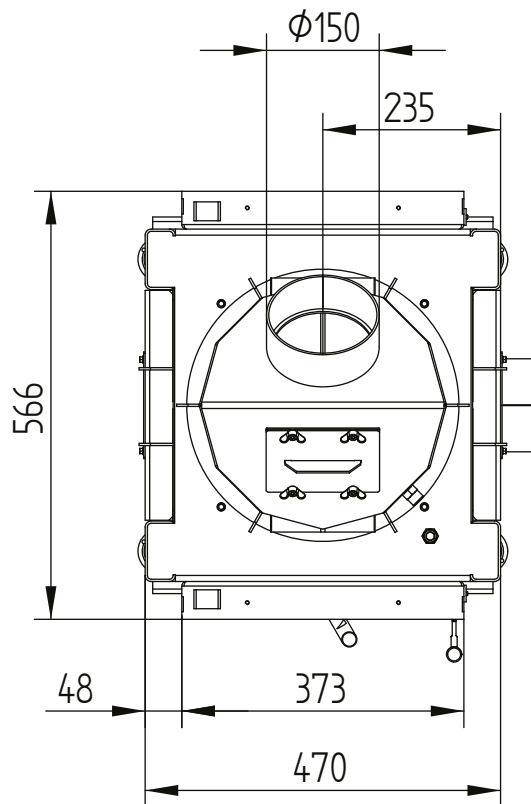
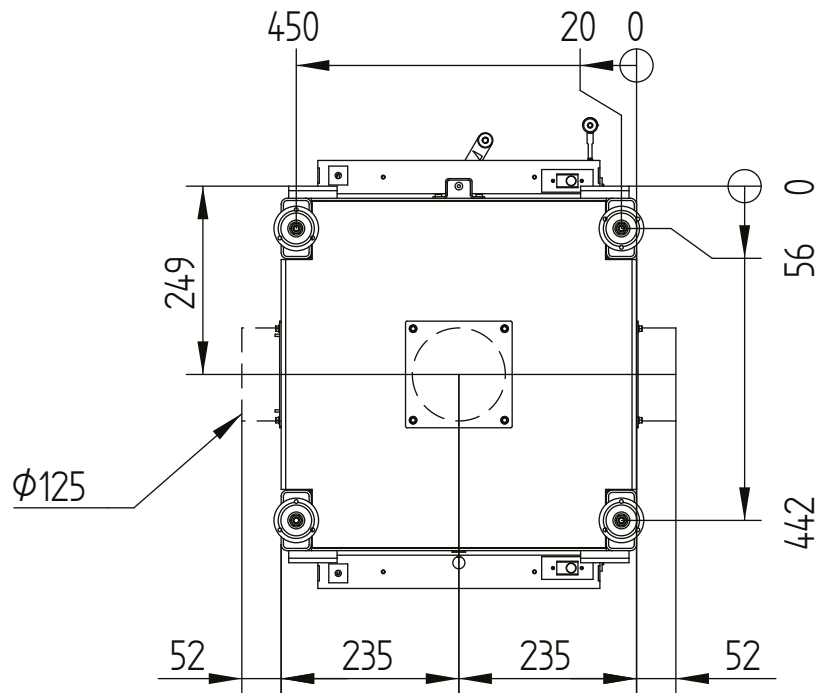


HAKA 37/50 tunnel

Technical data
Version 2019/08

hot air exchanger 45° / air intake / feet

M 1:10

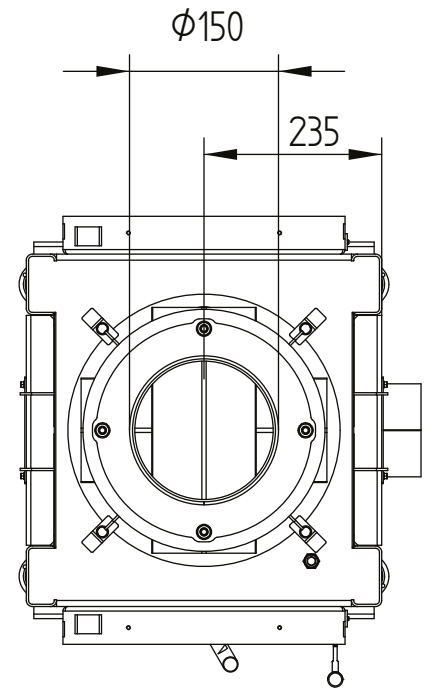
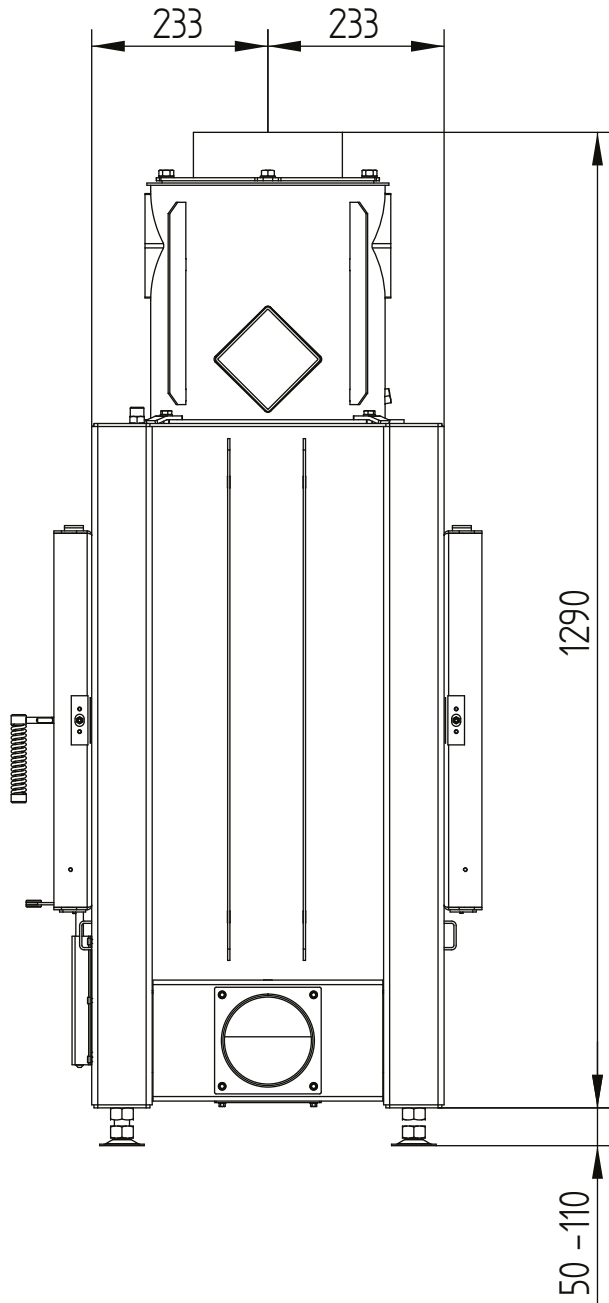


HAKA 37/50 tunnel

Technical data
Version 2019/08

hot air exchanger vertical

M 1:10

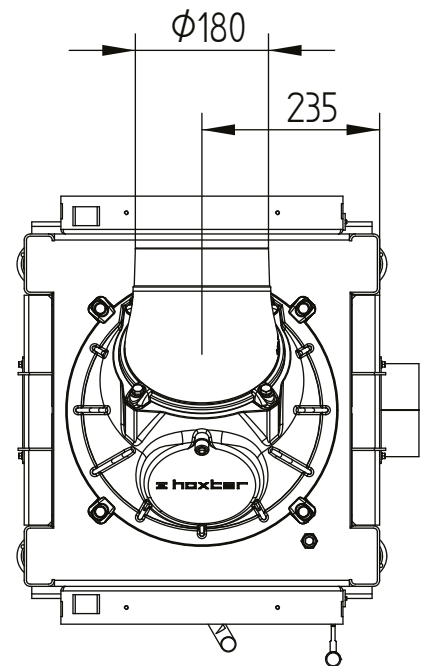
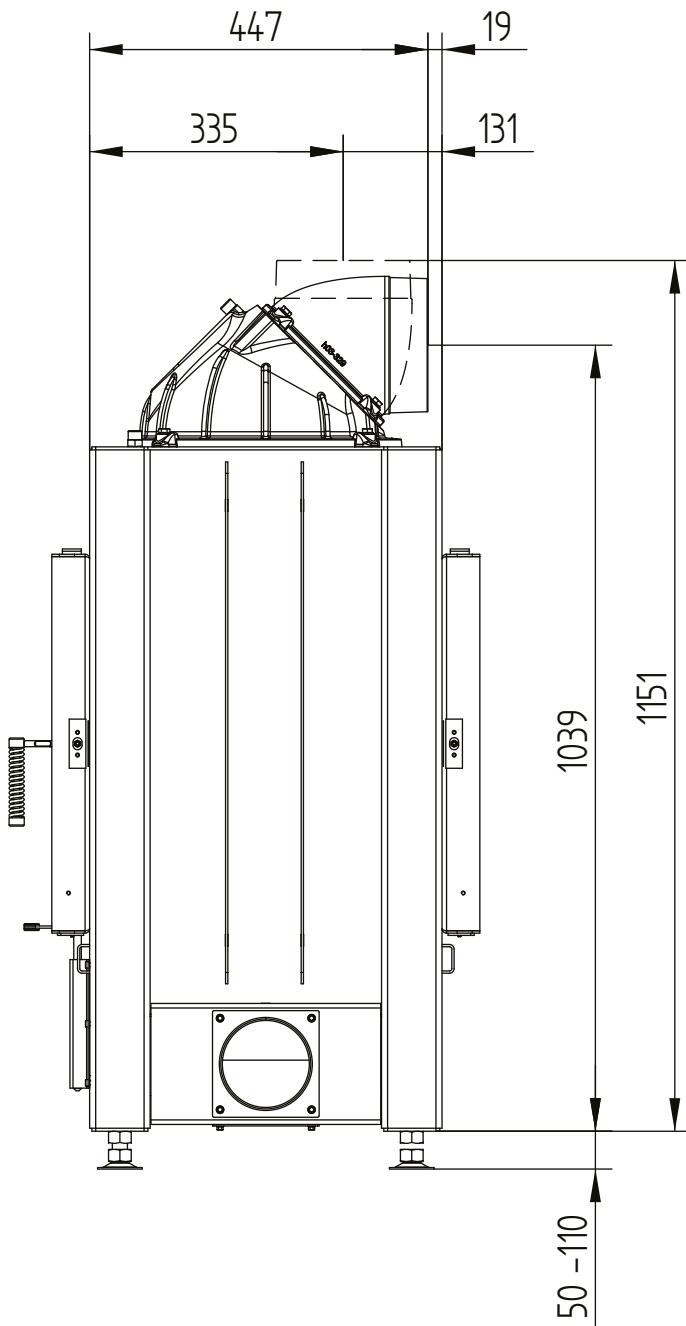


HAKA 37/50 tunnel

Technical data
Version 2019/08

cupola

M 1:10

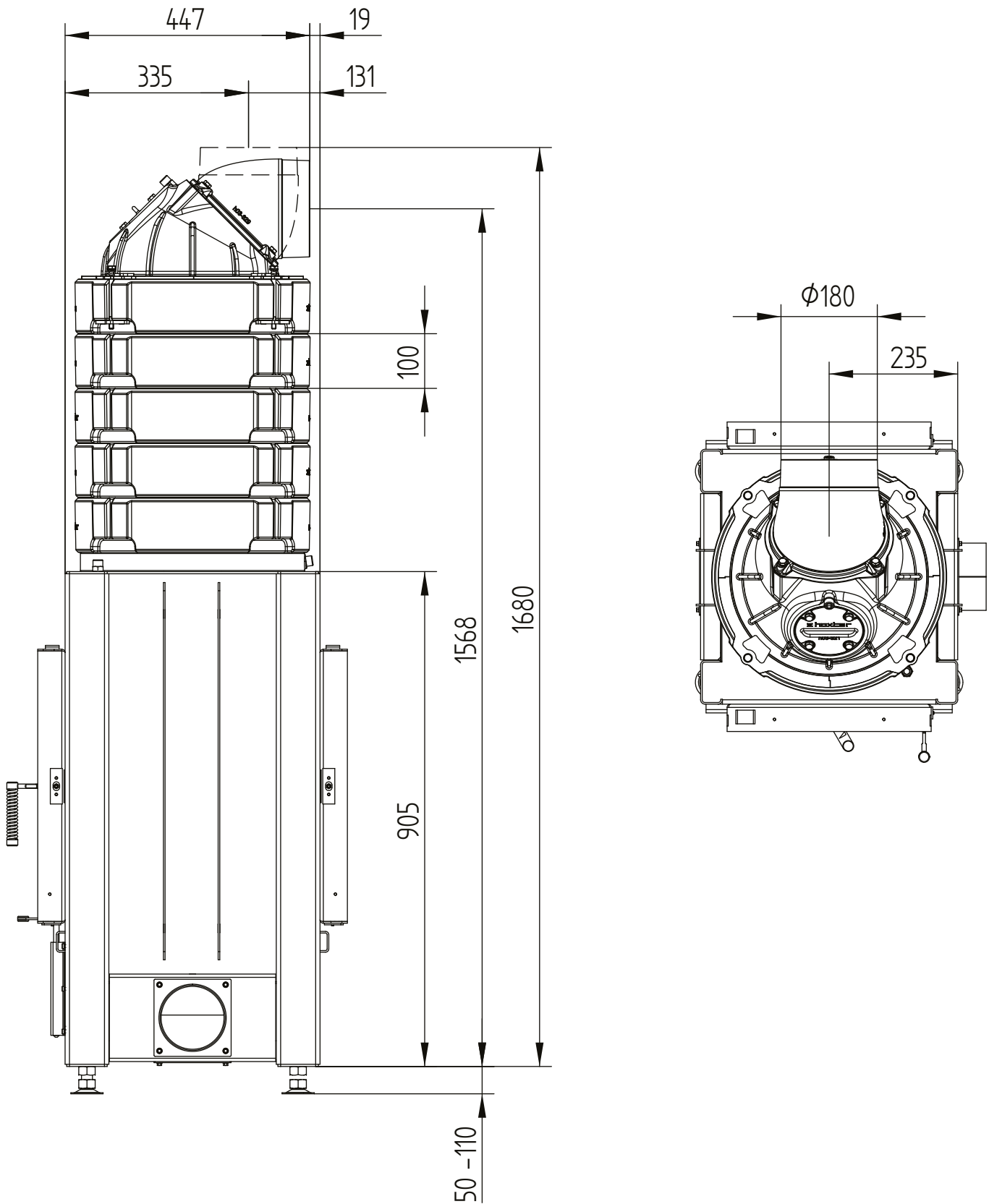


HAKA 37/50 tunnel

Technical data
Version 2019/08

accumulation rings

M 1:10

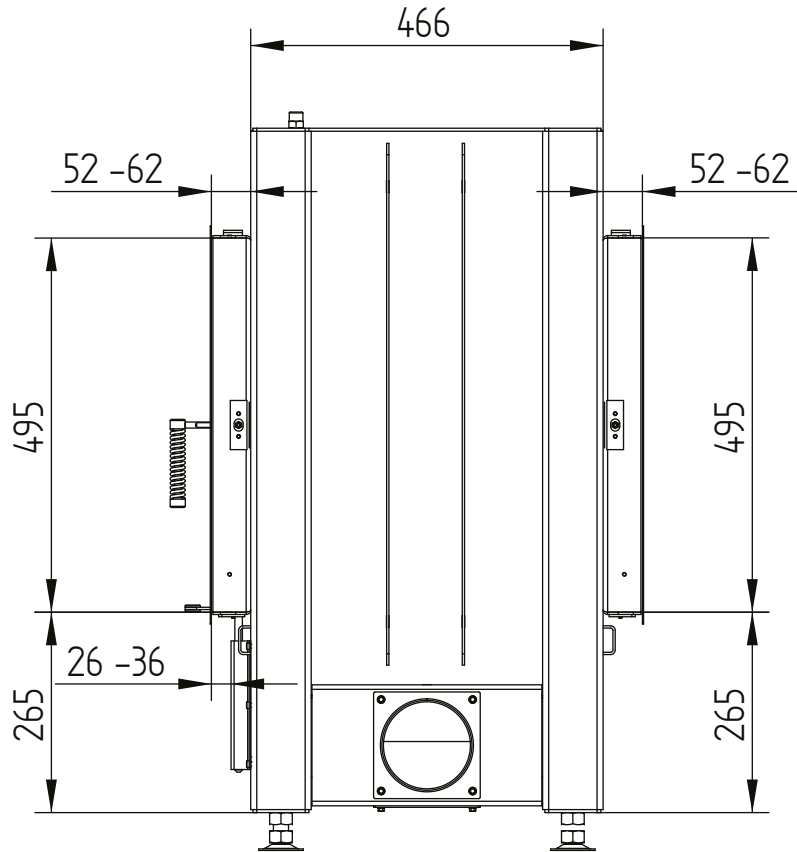


HAKA 37/50 tunnel

Technical data
Version 2019/08

cover frame 37/50 4sides 50 mm 1 x 90°

M 1:10

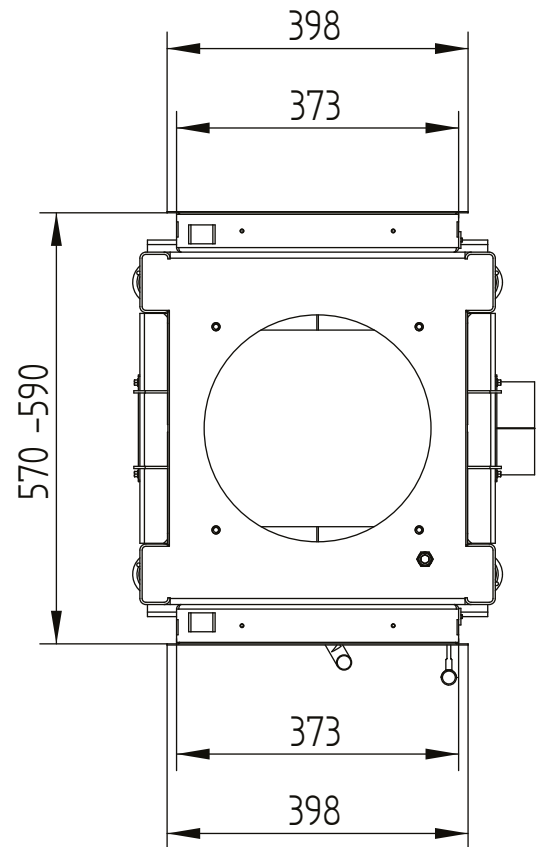
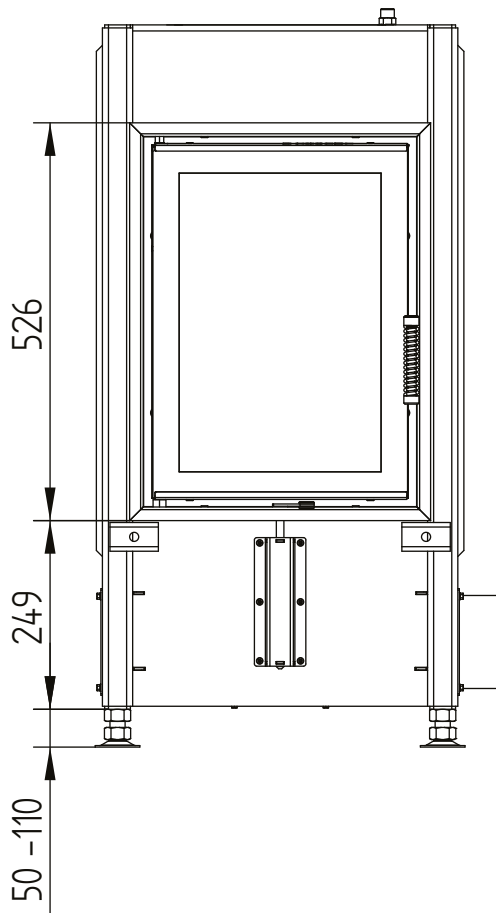


HAKA 37/50 tunnel

Technical data
Version 2019/08

cover frame 37/50 4sides 50 mm 1 x 90°

M 1:10



HAKA 37/50 tunnel

Technical data
Version 2019/08

cover frame 37/50 4sides 80 mm 2 x 45°

M 1:10

