

STOVES 2020/21

„TIMES MAY  
CHANGE,  
BUT  
*my fire*  
STILL  
BURNS.“



AUSTROFLAMM

[www.austroflamm.com](http://www.austroflamm.com)





AUSTROFLAMM

---



coming  
home  
again



## CONTENTS

### 16 - 68

16	CODY
18	BONO XTRA
20	CLOU XTRA
22	CLOU COMPACT
24	DEXTER 2.0
	DEXTER S3
28	FLOK 2.0
30	FYNN XTRA
32	G1
34	HEIDI BACK
36	IVY
38	JESS XTRA
40	JINI
	JINI XTRA
42	KOKO 2.0
	KOKO XTRA 2.0
44	KYLIE XTRA
46	LOUNGE XTRA
48	LUCY COOK
50	LUX
52	PALLAS
	PALLAS BACK
54	SAM
56	SLIM 2.0
58	STILA 2.0
60	TOWER XTRA 2.0
62	UNO XTRA
64	WIEN
66	WOODY
	WOODY XTRA
68	MR. WU

03

Index

05

A versatile pioneer

06

What it's all about

08

Making new discoveries

10

The designer

12

Storage heat

15

For a clean future



AUSTROFLAMM

---

# Fire is the source philosophy of every- thing.

FERDINAND HUEMER,  
A MULTIFACETED INNOVATOR.

*At the beginning of the 80s, Ferdinand Huemer recognised the need to free wood-burning stoves from their somewhat outmoded image. He declared his aim was to develop stoves that would not only provide cosy warmth but would also revolutionise design and efficiency - and founded Austroflamm. By March 1983 he had already begun to supply the first stoves. The company grew rapidly and moved to a new building in 1994, particularly as it was now exporting to Australia and Japan. One year later Austroflamm launched the first pellet stove on European soil - one of many other innovations that were to follow.*

*That is the entrepreneur, who with a blend of creativity, zest for action, courage and determination transformed his company into the market leader. Then there is the musician Ferdinand Huemer who plays several instruments, composes and writes – one of*



*his most recent projects being "Masita" - and manages the "Nest" recording studio as a producer. And finally there is the farmer who enjoys an egg for breakfast each morning straight from his own chickens.*

*What unites these three lifestyles is not only the name and the identical physical appearance behind them, but above all one characteristic: passion, expressed through complete commitment and enormous drive to achieve every goal he has set himself.*

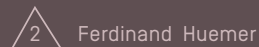
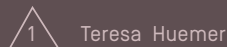
*There is no question about it: Ferdinand Huemer dedicates his life to fire and human warmth.*

What matters most: passion, partnership,  
team spirit and human warmth.



The Austroflamm COMPANY PHILOSOPHY is inseparably linked to its founder and owner Ferdinand Huemer. His esprit, his passion for innovation, his visionary thinking and actions are reflected in the way in which the company has evolved. The enthusiasm for unconditional quality and exceptional design is also evident in his employees, leading time and again to trendsetting technological developments. Austroflamm is a TRAILBLAZER in the use of ceramics, has developed novel storage materials such as HMS (Heat Memory System), XTRA storage heat and Keramott, which is protected by patent and produced in-house, and has thus been instrumental in significantly reducing the emission values for solid fuels over the last 25 years. Austroflamm is constantly setting new standards in the industry. Sustainable thinking and acting, team spirit and partnership distinguish the company in its dealings with customers, but also within the team.

Our guiding principle is respect for others because ultimately,  
what really matters in life is human warmth.







1

2

3

4

Our news.  
*The only constant is change.*



CODY, the new wood-burning stove



New Austroflamm logo



Teresa Huemer

FEELING  
INSPIRATION

# Making NEW DISCOVERIES

WE ARE IN MOTION. WE ARE IN TRANSITION.

We look for solutions, we create awareness. We strive for innovation, we take responsibility and we reinvent ourselves on a daily basis. We have always been like this and we still are. With new products, in a new guise, Austroflamm continues to embody innovative design and technology that is ahead of its time. Forward-looking, we throw ourselves into new challenges and discard what is outdated, but we remain true to our principles. Esteem for others, family and human warmth are the forces propelling us forward. We have now also been joined by Teresa Huemer, who is enriching our Austroflamm family with fresh ideas. Having grown up in the family business, her career path has led her back to her homeland and to her roots.

Design is our passion,  
quality our promise.







"OUR MOST IMPORTANT TEACHER is nature with its play of contrasts: Light and shadow, man and woman, warmth and cold, statics and movement, heaviness and lightness - only contrasts can create the dynamics from which life, emotions and architecture, too, draw their strength."



# Our only teacher must Cesare Monti ever be Nature.

*When I conceive my projects I always try to create a game of opposites.*

Life and emotions, as well as architecture, are born from a contrast between opposites. The dynamism originates, both from a static and from a moving component, as well as the contrast between one side in light and the other side in shade, shade, producing the forms and our perception of objects. Masculine and Feminine, Full and Empty, Warm and Cold, Lightness and Weight. Nature and Artifice.

CESARE MONTI, Italian architect and designer. After studying architecture at the Polytechnic University of Turin, he received numerous prizes and awards, including the International Catas Award of 2006 and 1st prize at the Torre Littoria Competition in Turin in 2011. Via Salzburg, he found his way to Linz, where he designs stoves in his studio exclusively for Austroflamm.

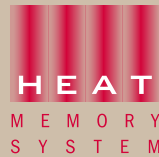


W A R M T H  
for indoor campers

STORAGE HEAT  
*Heat Memory System and XTRA*

OFTEN WISHED FOR, BUT RARELY FOUND IN  
WOOD-BURNING STOVES:

*The rapid warmth* for which wood-burning stoves are known and loved should also be accompanied by long-lasting storage heat. The Austroflamm Heat Memory System allows up to 8 hours of storage heat, depending on the model. And it still remains a fast heating system!



## WHY STORAGE HEAT?

### Health:

Long-wave radiant heat is not only considered pleasant, but is even good for your health.

### Saving on heating costs:

Having to replenish less often also means consuming less wood. And that of course saves money.

### Uniform heat distribution instead of overheating:

You want to heat up the room quickly, but would prefer to enjoy the warmth for a long time rather than have to keep on heating.



Heat Memory System:  
Panels

1. A MATERIAL WITH OUTSTANDING STORAGE PROPERTIES. With the Heat Memory System, Austroflamm has developed a very heavy material (specific weight above 3!) that is particularly effective at absorbing and releasing heat over a long period of time. It goes without saying that this material is patented.

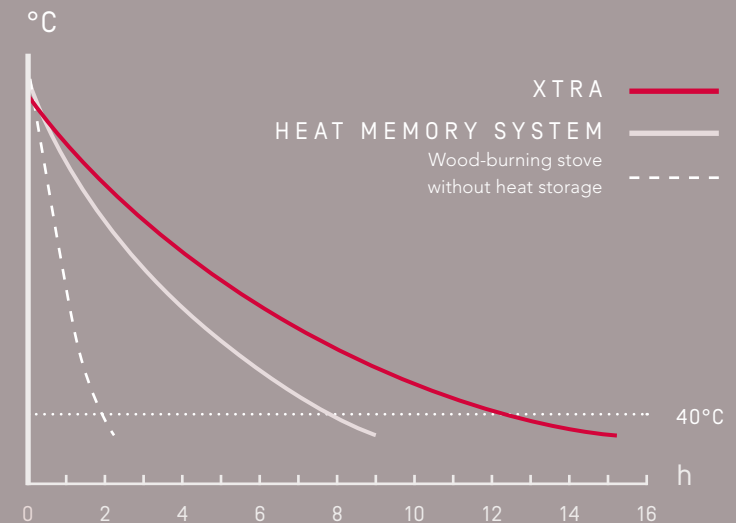
## 2. INSTALLATION OF THE MEMORY MASS

Equally as important as the storage material itself, is its installation. The storage mass must be placed as close as possible to the heat source, i.e. the firebox of the stove. If the storage material is only used as the outer cladding of a stove (for example as a cover plate), then simply not enough energy will reach the material. For this reason, Austroflamm also packs the storage mass into the oven. It goes without saying that this method of installation has also been patented.



Tower Xtra 2.0 without  
cladding and with a heat  
storage capacity of 130 kg.

WHAT IS PROBABLY THE BEST HEAT MEMORY STORAGE is a further development of the proven Heat Memory System: We combine the Heat Memory System with a special heat exchanger, pack more than 100 kg of it into the stove and equip it with adjustable convection air that can even be shut off. The system is ready to store heat for up to 12 hours!



# Clean Combustion for a green future.

Keramott  
firebox lining

## KERAMOTT

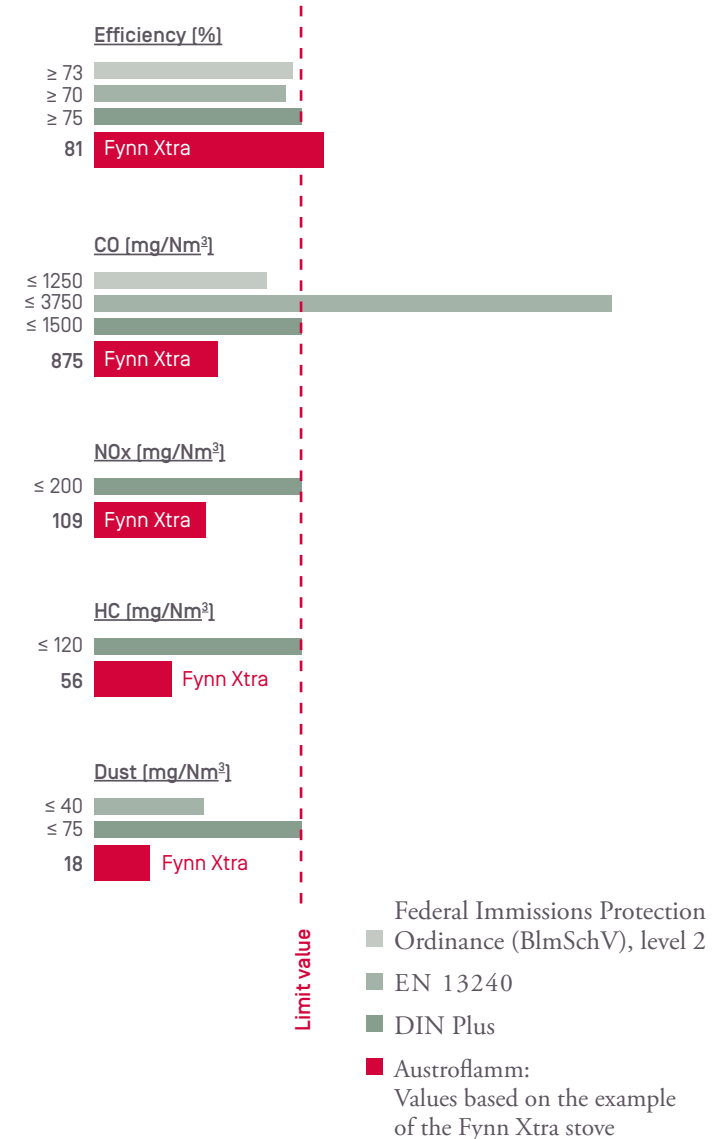
STATE-OF-THE-ART WOOD-BURNING STOVES require not only creative design ideas but also enormous development efforts in the field of combustion technology. A significant example of this is the firebox lining: In all Austroflamm stoves these important elements are manufactured from Keramott.

Keramott has been specially developed and is available exclusively from Austroflamm. The material is characterised by a special ratio between thermal insulation and thermal conduction, which enables high temperatures in the firebox to be reached more quickly. Only this ensures that combustion is "clean" and low in harmful emissions. The material is highly heat-resistant up to approximately 1,200 °C. In addition, the firebox can also "burn itself clean", the lining absorbs less soot than comparable materials and remains pleasantly light. This effect is also enhanced by the surface structure of Keramott.

## COMBUSTION TECHNOLOGY

We make every effort - more than we are asked to. Throughout most of Europe, the limit values of German Industrial Standard EN13240 must be complied with for domestic heaters. Unfortunately, however, these limit values are easily satisfied and only encompass 2 parameters. The DIN Plus specification is much stricter, and is sometimes required at a regional level. Stricter limit values have to be observed for a set of 5 different values. Since several different emission values are interrelated, the requirements are much higher than those of the European standard, which only takes CO emissions into account.

## LIMIT VALUES IN ACCORDANCE WITH EN 13240 AND DIN PLUS





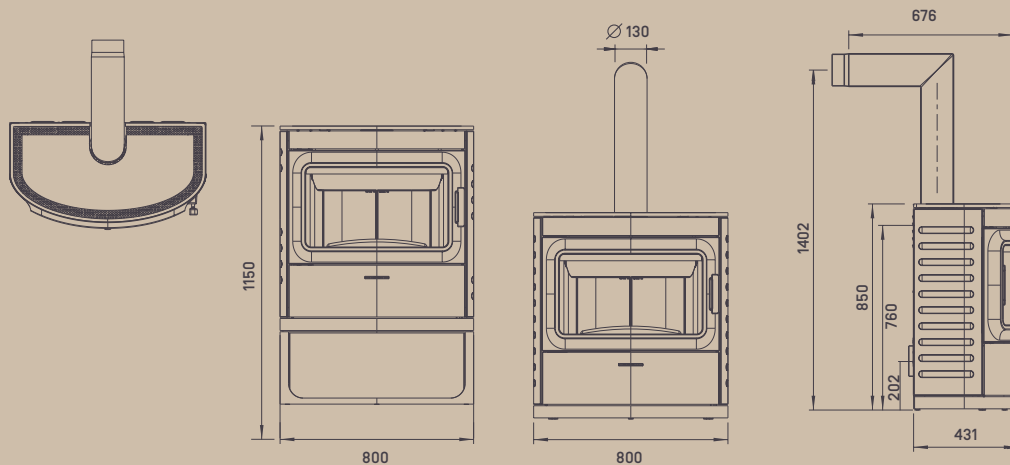
CODY  
OUR CENTREPIECE

---



FOR FIRE WORSHIPPERS

Doesn't every home deserve a centrepiece? Cody, our new member of the family with its impressive firebox, is happy to occupy this place despite its compact design. The large cast iron door with its curved glass pane provides a view of the crackling fire. And no matter whether ceramic or steel panelling, whether pedestal with a large wood compartment or pure fireplace stove - this showpiece simply WARMS YOUR HEART.





C O D Y  
NEW

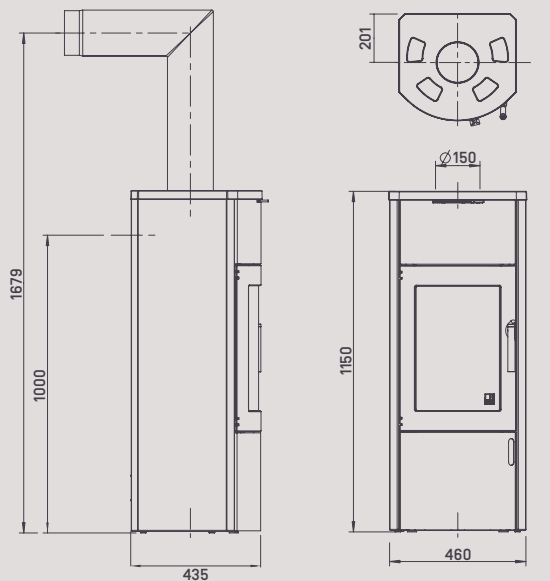


## BONO XTRA PURE PLEASURE

---

### FOR PURISTS

Actually, Bono should be called "BUONO" (Italian for good), although "good" would be a slight understatement. "Perfect" is certainly the most fitting description for this all-rounder: Ideal heat output for small rooms or even low-energy houses, a panoramic view of the dancing flames and a simple, TIMELESS DESIGN without any trendy frills, make Bono Xtra a perfect storage heater for any room and for many years to come.



The soapstone cover (rear connection) of Bono Xtra with lockable convection air vents.



Neatly concealed: behind a panel are the ash pan, the riddling grate actuator and the controls for primary and secondary air.



Complete range of fittings: Bono Xtra with soapstone side panels (60 mm thick), soapstone cover and plenty of heat storage.

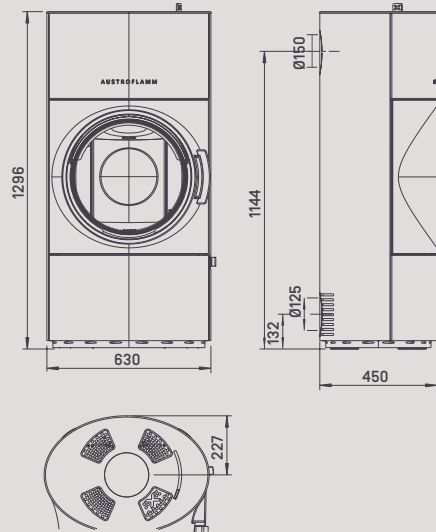
# BONO

XTRA



## CLOU XTRA A ROUND AFFAIR

---



The wood box echoes the design of the round cast-iron door.

## FOR LOVERS OF FORM

A REAL HIGHLIGHT for all those who are looking for something completely distinct: a round door, oval body and a large door handle made of elegant walnut combine to create an extraordinary blend that is certainly not to be found in every living room. Equally special, though not unusual for Austroflamm models, is the fantastic Xtra heat storage system for up to 12 hours of heat retention.

Another striking feature of Clou Xtra: its shallow depth.



The walnut handle with its elegant grain.



CLOU XTRA



C L O U    C O M P A C T

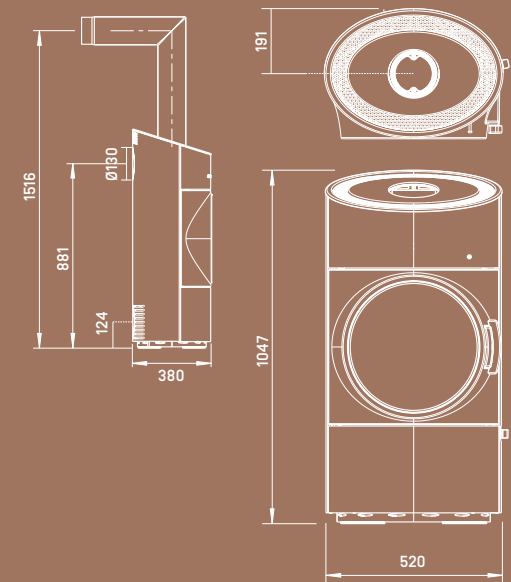


CLOU COMPACT  
THE NEW COMPACT CLASS

---



The wood box echoes the design of the round cast-iron door – a perfect duo.



CLOU COMPACT

THE CLOU FAMILY has welcomed a new addition and is now enriched by Clou Compact. With smaller dimensions and a slightly lower heat output, but by no means less exceptional, Clou Compact does not fall short of its big brother in any way.



Pictured right: Dexter 2.0 with pedestal, top box and side boxes.



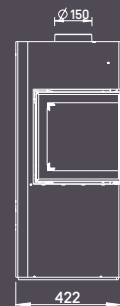
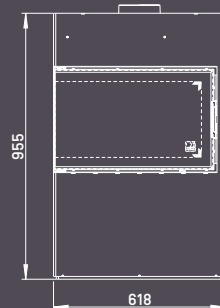
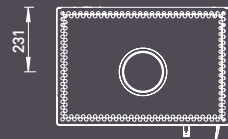
## DEXTER 2.0 / DEXTER S3

Do you know the One Thousand and One Nights? Dexter will enchant you with a similar number of possible configurations. You have the choice between a corner door (Dexter 2.0, short side on the left or right) or three-sided glazing (Dexter S3). And the clever side boxes, with their open side also serving as a wood storage compartment, transform Dexter into a genuine furniture system. It's even possible to pack the top boxes full of Heat Memory System.

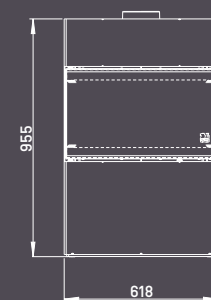


Dexter S3 side view

### DEXTER 2.0



### DEXTER S3



# DEXTER 2.0



# INFINITE CONFIGURATIONS

Dexter 2.0 left



Dexter S3



Dexter 2.0 right



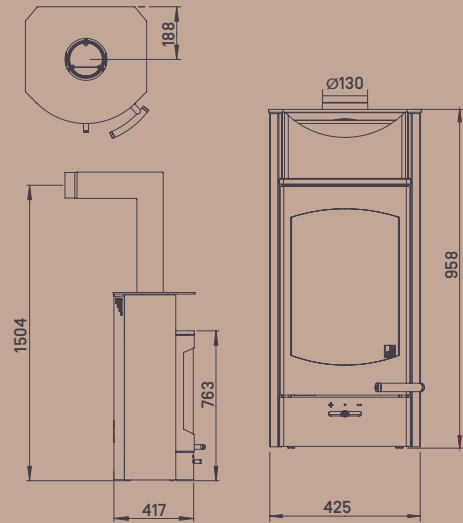
DEXTER S3  
CONFIGURATIONS WITHOUT END

---



DEXTER S3

FLOK 2.0  
AMAZINGLY VERSATILE



Flok 2.0 with side cladding, cover and warming compartment made of sandstone.



Practical: A warming compartment for tea or other good things.



With an optional turning plate, Flok 2.0 can be rotated 360°, with or without pedestal.

FLOK 2.0, THE MASTER OF TRANSFORMATION.

Flok 2.0 offers a considerable amount of heat in a compact format: a compact stove with flair and a spacious firebox that provides a good view of the dancing flames. The optional pedestal, which is also available with a turning plate on request, makes Flok 2.0 a genuine master of transformation.

Although still small, it surpasses itself. With a ceramic warming compartment and optional sand or soapstone cladding, Flok 2.0 showcases itself as an individual design. Also available with the proven HEAT MEMORY SYSTEM.

Pictured right: Flok with steel cladding and optional pedestal.



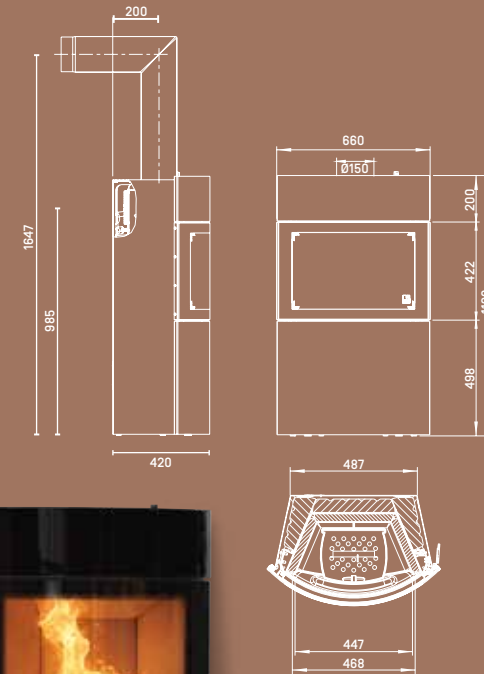
F L O K 2 . 0



# F Y N N X T R A



The pedestal with wood storage compartment is available as an accessory.



## PERFECTED FORM

Delicate curves, soft shapes, incredible elegance. Yes, we are talking about Fynn Xtra. Combine different front panels above and below the door to suit your taste. You can choose from steel, glass or ceramic! The 30 cm high pedestal with a practical wood storage compartment is available as an attractive accessory, and our patented Xtra System provides up to 12 hours of storage heat!



F Y N N  
X T R A



G 1

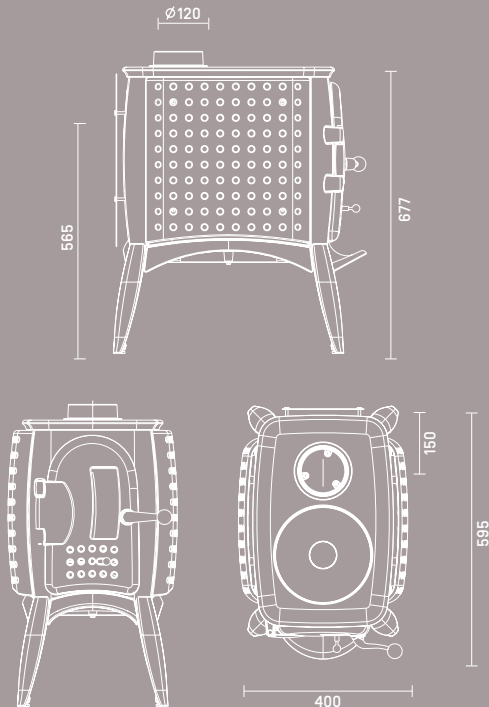


# G1 MY TASTE EXACTLY

---

## G1 CAST IRON IN ITS MOST BEAUTIFUL FORM

G1 provides a taste of the past in the present. The design evokes past times and awakens many a nostalgic memory. But don't let the retro look fool you. Inside you will find state-of-the-art firing technology. With its practical cooking plate, G1 is guaranteed to be the star at your next tea party.



G1 without convection panel.

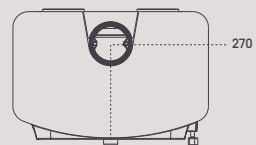
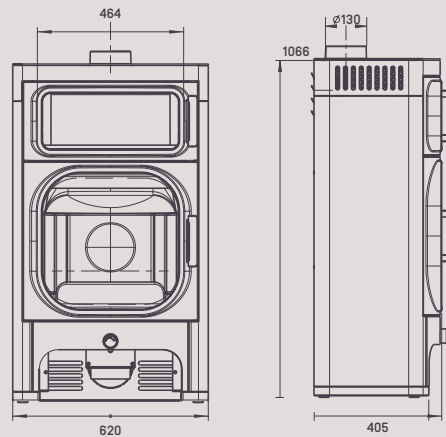


G1 with cooking plate and convection panel (accessory).



## HEIDI BACK

Baking, frying, heating and looking incredibly good at the same time? Only Heidi can do that! A large ceramic hob throughout offers plenty of space to keep everything warm, while the baking compartment can be used to prepare roasts, cakes, pizza or bread, and other delicious foods. Of course, the pleasure factor is not neglected when heating either. A generous cast iron door allows an unrestricted view of the dancing flames while you enjoy their cosy warmth. The icing on the cake is provided by the new Air+ automatic air control as an accessory, which automatically regulates the air supply and thus ensures perfect heating results!



Optional bottom drawer.



Fine-grained cast iron meets elegant walnut.



HEIDI  
BACK



I V Y

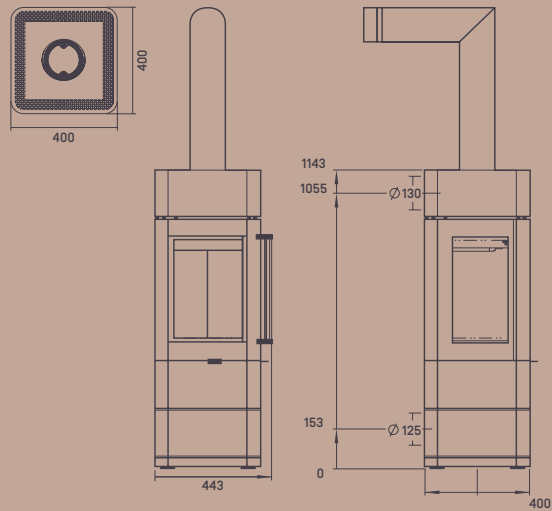


## IVY FLAMES WITHIN A FRAME

---

### FOR INDIVIDUALISTS

The linear design with its square base loses its hardness thanks to the rounded corners, but not its distinctiveness and elegance. With a wide range of options for enhancement, Ivy becomes more than just a fireplace, it becomes a piece of furniture and an eye catcher, combining functionality with form. The glass inserts on three sides provide a direct view of the flames, literally serving as their frame.



A view of the flames from three sides.



Plenty of space for firewood and a lot more: Ivy with side boxes, top box and wooden dower.

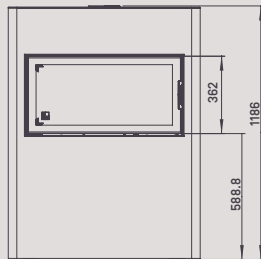
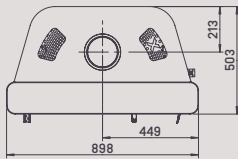
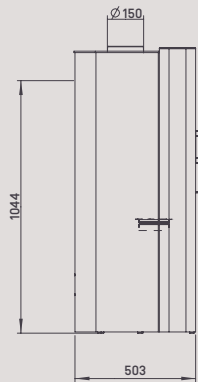


J E S S X T R A





The convection air openings can be opened and closed seamlessly.



Jess Xtra: pictured here without pedestal.

## FOR AVANT-GARDISTS

Whether you pronounce Jess [tjes] or [jes] is entirely up to you. With us too, the camp is divided into the [tjes] and [jes] users. However, what is undisputed is that Jess is absolutely unique: avant-garde and cool, in the style of a new design generation it almost looks like an oversized MP3 player. With or without a pedestal (including a spacious wood storage compartment), you can experience the splendour of its flames either at a normal level or at an exceptionally high one - but whatever you choose, you will be permanently warm because our exclusive Xtra heat storage system allows you to store heat for up to 12 hours.



Jess Xtra with optional pedestal, which also serves as a spacious wood storage compartment on both sides.



JINI  
XTRA

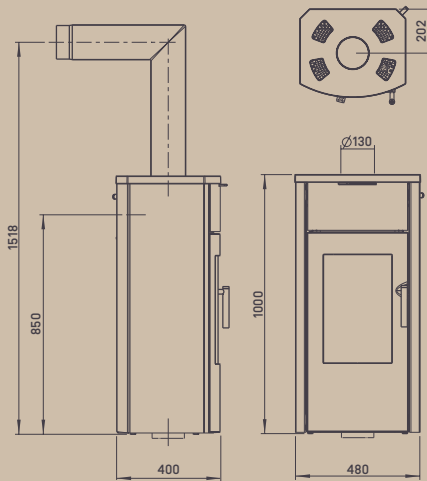


JINI  
ANYTHING BUT ORDINARY

---

JINI / JINI XTRA

Inviting, casual, timeless and snug. With clear lines, simple shapes and perfect proportions, Jini appeals to everyone who likes an uncomplicated and relaxed life. Extremely sophisticated in terms of combustion technology, it is not only a long-lasting design classic, but also a premium-quality heat source guaranteed to make you feel good. Jini Xtra even comes with up to 12-hour storage heater. A large-format fire is naturally included.



Really rather elegant: Jini with soapstone cladding.



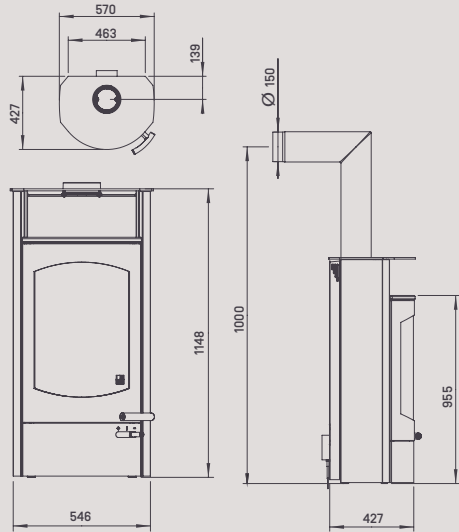
No more bending down:  
The air regulator is positioned  
at a comfortable height just  
below the top plate.



Pleasant to the touch:  
the walnut door handle.

KOKO  
A MODERN CLASSIC

KOKO 2.0



A MODERN CLASSIC - the "little black number" of our collection so to speak: simple, timelessly elegant and guaranteed to be the perfect choice for every occasion and every environment. A matching pedestal is also available on request. The large rounded glass pane offers a maximum view of the flames and the warming compartment helps to prolong those wonderful hours spent in front of the stove with tea or punch. Koko Xtra 2.0 features a wealth of heat storage in place of the warming compartment.

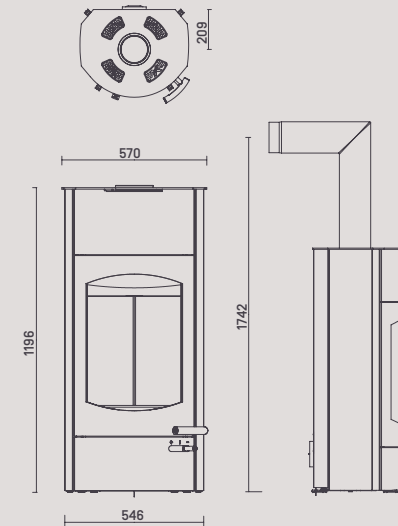


Practical: the large warming compartment.



Handle and air regulator in an elegant combination of stainless steel and walnut.

KOKO XTRA 2.0



Koko XTRA 2.0

Pictured right: Koko 2.0 with steel cladding, steel top plate and ceramic warming compartment in satin black.



K O K O 2.0

K O K O X T R A 2.0

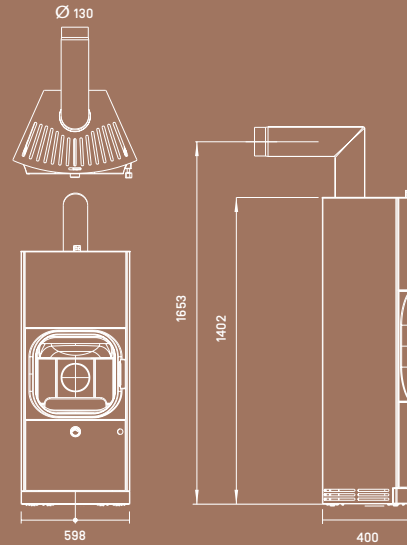


KYLIE

XTRA







## KYLIE XTRA

TIMELESSLY BEAUTIFUL, Kylie Xtra is the ideal complement to every room and personal lifestyle. With its basic conical shape, it tapers towards the back and therefore fits particularly well into corners. The material combination plays with contrasts: The classically robust cast iron door and soft, finely crafted wooden elements elegantly round off the overall picture. And so that the flames always blaze away to perfection without you having to contribute anything, we have developed the Air+ automatic air control (accessory).



The convection air outlets in the cover can be regulated.



The practical wood storage compartment is concealed behind a panel.

# LOUNGE

XTRA



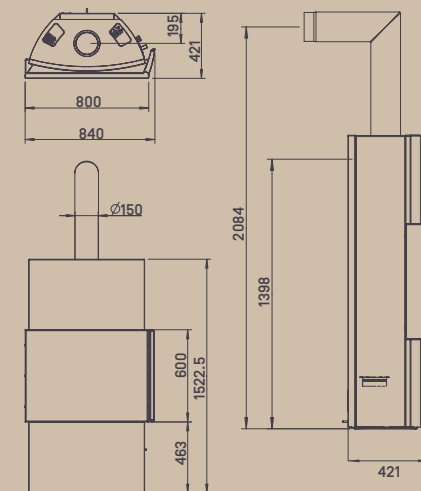


A FIRE IN WIDE-SCREEN FORMAT  
THE NEW XTRAVAGANCE



LOUNGE XTRA

The flat screen among our stoves! Gazing at the lounge becomes more appealing and much more relaxing than watching TV: fire in truly wide-screen format. Despite its size, the shallow depth lends the lounge a slim and extremely elegant silhouette. And the unique Xtra heat storage system is on board right from the start.

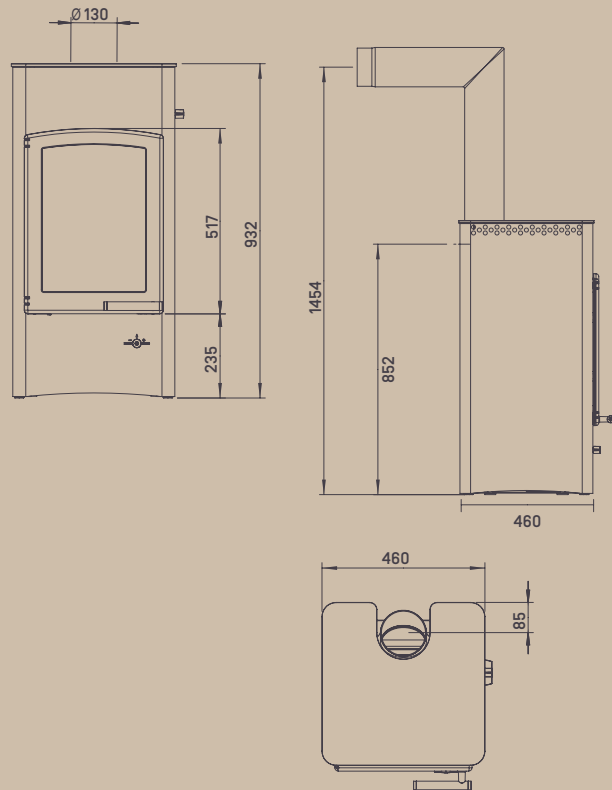


LUCY  
COOK



## LUCY COOK - 2 STOVES IN ONE

The head chef's recommendation: Delicious dishes, prepared with Lucy Cook. The large, full-surface cooking plate offers maximum flexibility for large and small saucepans. And even if you only want to use Lucy Cook for warming up and dreaming, then this is also the ideal solution for you. After all, once the saucepans are removed, you would never know she had a passion for cooking.



You can cook with Lucy Cook, but you don't have to. Even as a traditional stove, its charm will captivate you.



The solid cast iron door emphasises its robust appearance.



There is space for plenty of saucepans on the cooking plate (46 x 46 cm).

L U X



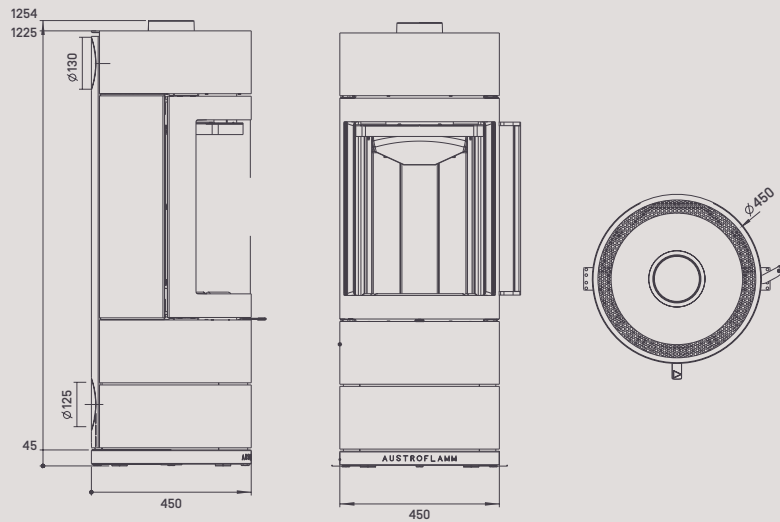


LUX  
A DELUXE ITEM OF FURNITURE IN ITS OWN RIGHT

---

LUX COMES FROM THE LATIN FOR LUXURY

If you like ROUND SHAPES, then Lux is the perfect choice for you! The circular base and huge curved glass pane show you the play of flames in a wide format. With side boxes that can be attached on the left and right, you can expand Lux to create your own individual furniture system. Practical and beautiful for home accessories, throws, magazines and everything you need for a sense of well-being at home. The wooden handle and pedestal emphasise its warm character and transform the individual attachments into a visual unit.



Pictured left: Already an elegant classic: Lux with top box and large side box and two wooden drawers.



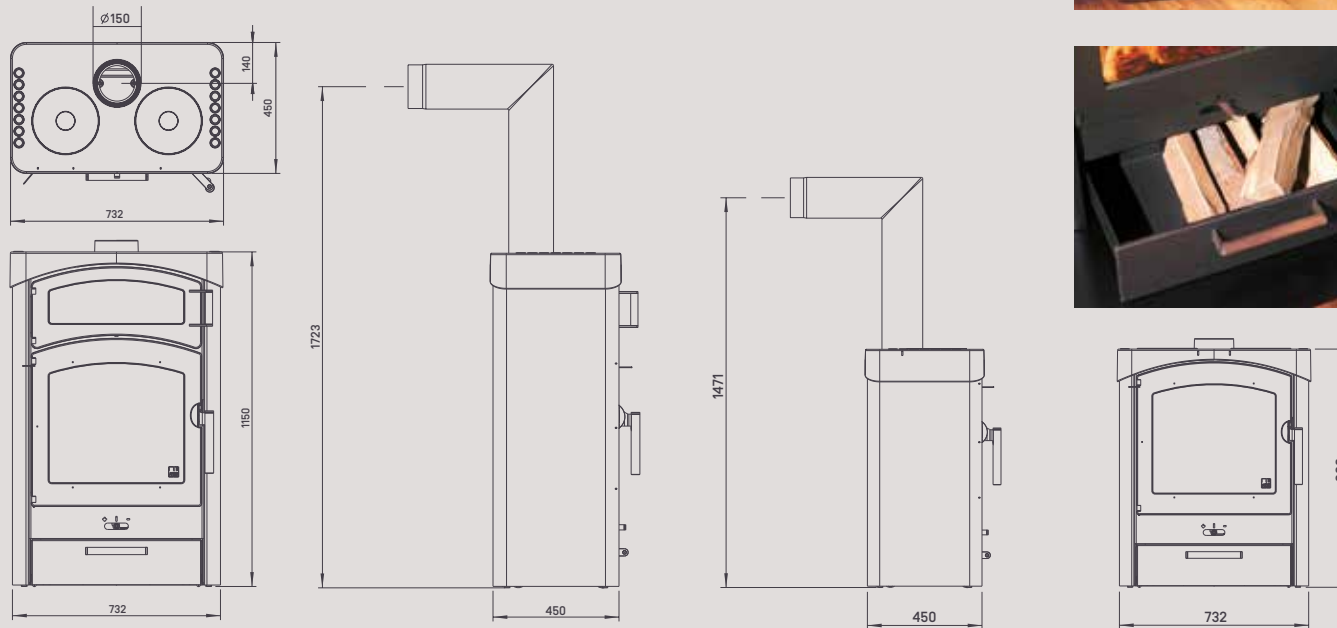
Small side box left and right and wooden drawer.



PALLAS  
IN THE FOOTSTEPS OF TRADITION

PALLAS / PALLAS BACK

Fancy a romantic open fire, a cup of tea and perhaps a bite to eat? Pallas makes this possible! Not only is it a charming source of warmth with its three cooking plates and, in the case of Pallas Back, with its spacious supplementary baking compartment, the most delicious dishes can also be prepared - and entirely without electricity! Its classic cottage-style design makes it the perfect companion for your eat-in kitchen, second home or weekend house.



Pallas with ceramic "earth" panels and wood drawer.



Practical wood drawer as an accessory.

Pictured right: Pallas Back with optional wood drawer.

# PALLAS

BACK





S A M





SAM  
STYLISTICALLY CONFIDENT - AUGMENTABLE - MEMORABLE AND STRIKING

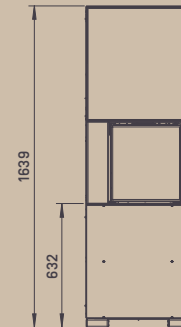
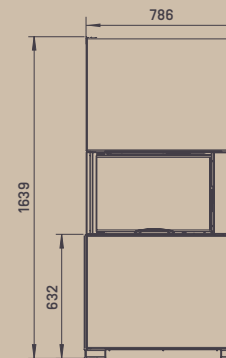
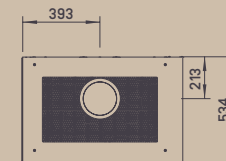
---

SAM

Made of purist steel, Sam is an eye catcher in any room. All the more so when it is combined with top boxes. It is also available with sliding or hinged doors.



Sam with ceramic cladding iron corten.

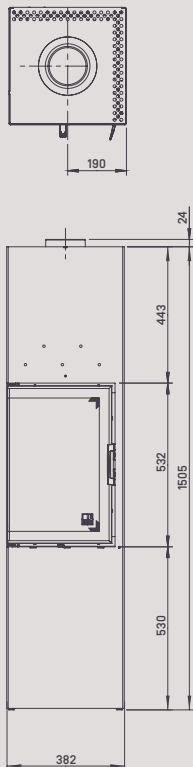


SLIM  
FOR A SLENDER LOOK

---

SLIM 2.0

On we go to the next level - Slim 2.0 has arrived! Tall, slender and equipped with a sophisticated door extending across the corner. The door can be hinged on the right or left. As a special bonus, this design piece can even be equipped with the Heat Memory System for heat storage. With its simple square shape, Slim 2.0 also fits easily into corners. And the side box is simply practical for storing wood where you need it.



Door handle and air regulator are satin chrome plated. The door locks automatically.



Slim 2.0 with optional side box, and glass floor plate.

# SLIM

2.0



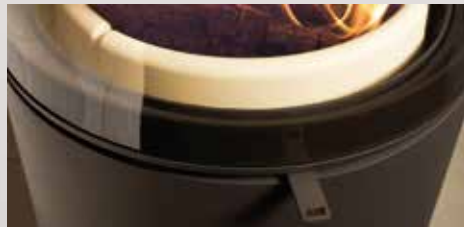
STILA  
2.0



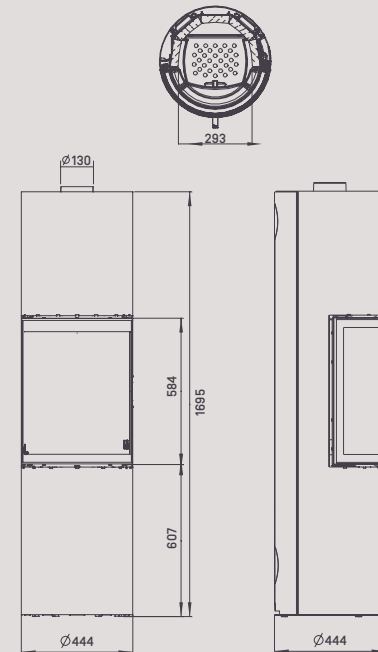


## STILA FOR SWEET DREAMS

---



The door glass curves endlessly and shows you a large expanse of fire.



## EXCITINGLY STYLISH

Dream or reality? A total height of 170 cm simply amazes everyone and sometimes even attracts unexpected admirers. With a diameter of only 44 cm, Stila does not take up much space in the room and will enchant you with its extremely elegant and slender appearance. The generous door glass displays the stunning flames in the best possible light and beautiful details, such as the handle embedded in the frame, make Stila an attractive highlight in the room from all angles.

## TOWER XTRA HEARTWARMING

---

### TOWER XTRA 2.0

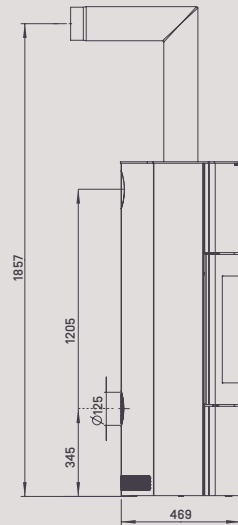
Retreat to the comfort of Tower Xtra 2.0 because the innovative Xtra heat storage technology provides you with up to 12 hours of pleasant warmth. So stoke up the fire in the evening and get up in the morning to find it still comfortably warm, and have breakfast. Its purist design makes Tower Xtra 2.0 an enduring classic and not just a companion for a few hours.



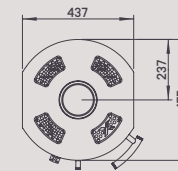
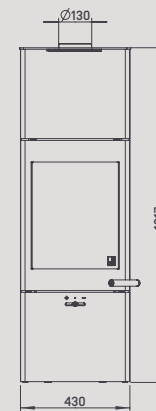
X for the Xtra technology finely crafted in stainless steel.



Innovative: the adjustable convection air ensures the heat dissipates evenly.



The door handle and the single-lever air regulator.



# TOWER

XTRA 2.0

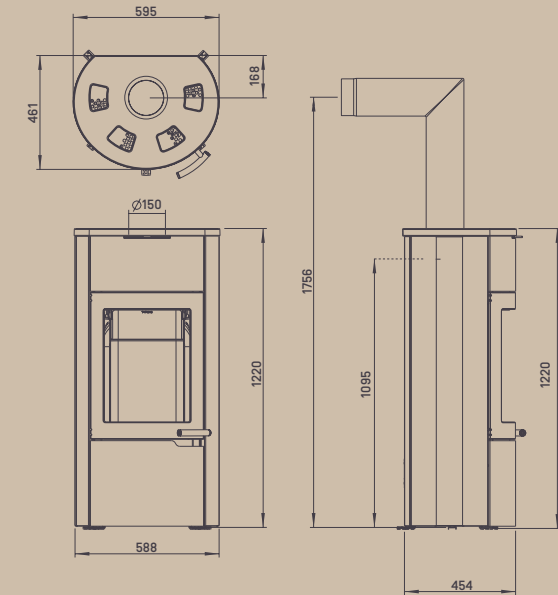


## UNO XTRA ONE LIKE NO OTHER

---



Uno Xtra with soapstone cladding and top plate, and adjustable convection air vents.



## UNO XTRA

A real giant when it comes to heat output because the Uno Xtra is equipped as standard with the exclusive Xtra heat storage system, which provides up to 12 hours of storage capacity. The Uno also benefits from a sophisticated design - whether in steel or soapstone. Its gentle curves cannot help but flatter any room. Round, practical and impeccable.



The ashes are disposed of the traditional way using a riddling grate and ash pan.



U N O  
X T R A





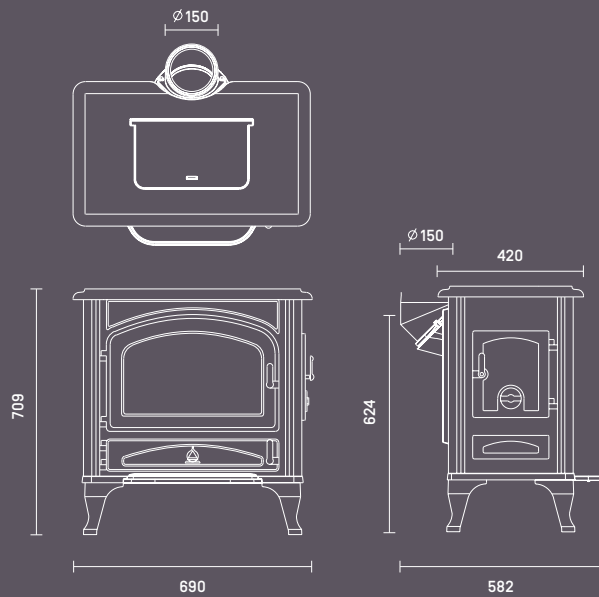
W I E N

HAVE YOU SEEN  
VIENNA BY NIGHT

---

WIEN

The Renaissance of cast iron. The oldest stove material can also be interpreted in a contemporary way: that's just typical of Austroflam! And we've even included modern firing technology into the bargain.



The separate side door is particularly practical for adding long pieces of wood to the fire.

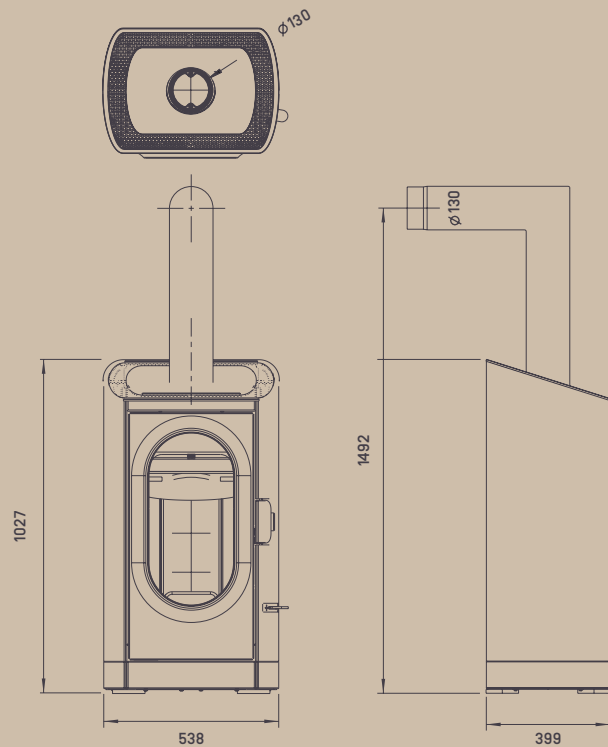


The ash pan is integrated into the front.

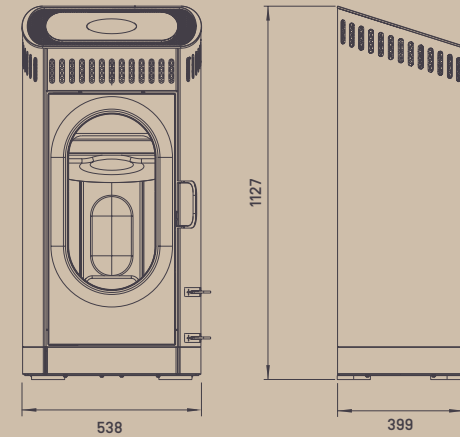
## WOODY WOOD MEETS CAST IRON

### WOODY / WOODY XTRA

Here the name is eponymous! Right from the start Woody captivates with its elegant wooden panel and sophisticated wooden handle. Equally exceptional are the oval cast iron door in portrait format and the sloping top. Woody is also available 10 cm taller than Woody Xtra: this special version is designed exclusively by Austroflamm for up to 12 hours of storage heat! The perfect partner for Woody is our beautiful and practical wood storage box, which is of course also available as an accessory for all other stove models.



Woody shown here with optional pedestal, also suitable for Woody Xtra.



Woody Xtra has two controls: one for combustion air and the other for convection air.



# WOODY

XTRA





MR. WU



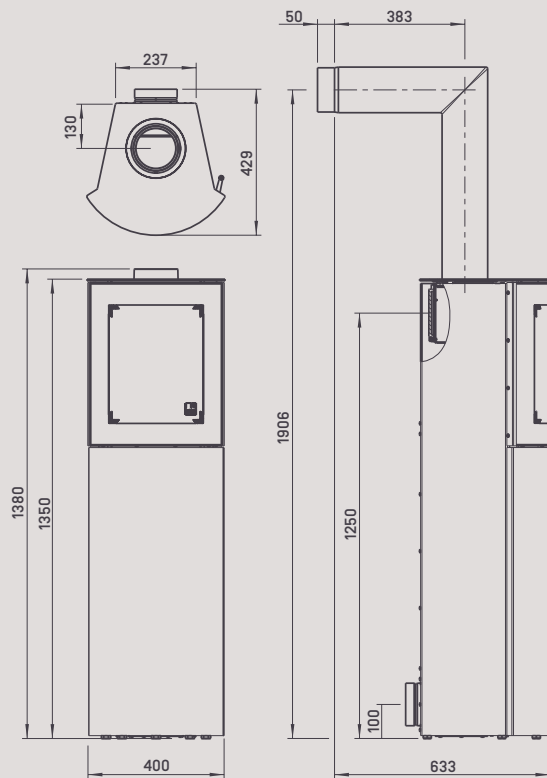
MR. WU  
WONDERFUL WARMTH

---

MR.  
WU(WUNDER)

Have you already been introduced to the world's latest and most novel development on the wood-burning stove market? Mr. Wu is its name!

An innovative stove that burns briquettes from top to bottom like a candle, practical and clean! Mr. Wu heats for up to 6 hours without requiring any additional stoking! Simply place the briquette on the conveyor plate, press the button to move it to the start position, light it with the ignition aid and press "Start". By the way, Mr. Wu also runs on battery power without the need for a mains supply. Extremely slim and tapering slightly towards the rear, Mr. Wu not only looks particularly elegant, but also requires little space and fits very neatly into corners. For the front you can choose between steel, grooved ceramic and black glass.



## COLOURS / FINISHES

Our stoves are available in a truly extravagant range of ceramic, stone and steel claddings. Many ceramic colours allow you to tailor your stove to your individual home decor. Especially since the complete colour range (see above) is available for all ceramic parts - no matter which type of ceramic or stone stove you choose!

The different ceramic glazes are also remarkable: gloss or satin, in elaborate wipe technique or with a stony structure - the choice is yours!



All ceramic glazes are the result of chemical reactions that cannot be influenced. For this reason, colour deviations are quite common and cannot be considered a flaw. Even fine hairline cracks (craquelure) are part of the natural appearance of all glazed ceramic surfaces. In this sense, each ceramic part is an appealingly unique piece.

And our natural stone panellings in soapstone or sandstone are also natural products that are rendered truly unique by slight variations in colour and structure. We have endeavoured to reproduce the colour tones as faithfully as possible.

Should you nevertheless notice any discrepancies, then these are due to deviations in printing technology, and to the natural variations in colour of the ceramic glazes or of the steel claddings.

*The details are not the details,  
they are the design.*


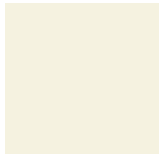







DETAILS  
COLOURS /  
FINISHES





CERAMIC

\*with relief structure

							
enamel white	smoky quartz	sand	hemp	medium sandstone	earth	fire	ruby red
							
iron corten [Sam]	dark basalt	black	black satin	black satin "groove" [FYNN, MR. WU] *	enamel white "groove" [FYNN, MR. WU] *	dark anthracite [CODY]	bright white [CODY]

STONE

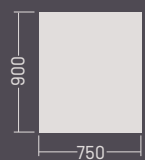

soapstone

sandstone

# FLUE PIPES / BASE PLATES

## BASE PLATES

Useful accessories to protect your high-quality floors: Our floor plates made of steel (2 mm thick, cast iron grey, powder-coated and with bevelled edges) or glass (6 mm thick, specially treated, high-strength and robust).

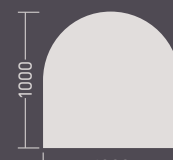
## GLASS



Art.-No. 630036



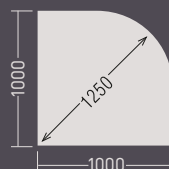
Art.-No. 630029



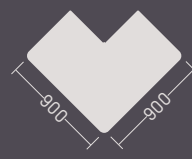
Art.-No. 630028



Art.-No. 630066  
for Fynn



Art.-No. 630030



Art.-No. 630067  
for Slim



Art.-No. 630068  
for Clou Xtra

## STEEL



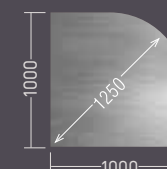
Art.-No. 630018



Art.-No. 630024



Art.-No. 630023



Art.-No. 630059



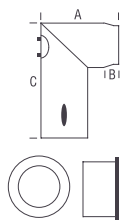
Art.-No. 630060  
for Lounge



Art.-No. 630062  
for Fynn

## FLUE PIPES

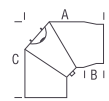
Original Austroflamm flue pipes are made of 2 mm thick high-quality steel. Workmanship focuses on the visible area of application: precise welding seams and highly heat-resistant (up to 600 °C), colour-coordinated special paint. The flue pipes are drawn in at one end. Your specialist dealer will be happy to advise you on the optimum solution for you!



**FLUE PIPE SET**  
consisting of angled pipe with cleaning door and throttle flap, double wall lining and wall rosette.

Art.-No.	∅	A	B	C
620025	120	500	60	625
620066	130	500	60	635
620067	150	500	60	655
620068	180	500	60	685


Specifications in mm



**90°-ELBOWS**  
(1) Adjustable elbows with cleaning flap  
(2) Fixed elbows with cleaning flap

Art.-No.	∅	A	B	C	
(1)	(2)				
620016	620017	120	245	60	245
620073	620074	130	250	60	250
620044	620045	150	275	60	275
620049	620050	180	295	60	295

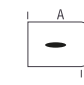
Specifications in mm



**WALL ROSETTE**

Art.-No.	∅	A	B
620021	120	195	125
620080	130	195	135
620058	150	225	155
620060	180	285	185
620081	130	400	137
620059	150	400	157

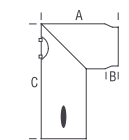
Specifications in mm



**FLUE PIPE**  
with adjustable and lockable throttle flap

Art.-No.	∅	A	B
620027	120	250	60
620078	130	250	60
620054	150	250	60
620055	180	250	60

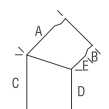
Specifications in mm



**ANGLED PIPE**  
with cleaning door; throttle flap which can be adjusted to 11 positions from 0°- 90° and locked

Art.-No.	∅	A	B	C
620011	120	500	60	625
620082	130	500	60	635
620032	150	500	60	655
620033	180	500	60	685

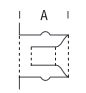
Specifications in mm



**45°-ELBOWS**  
Fixed elbows with cleaning flap

Art.-No.	∅	A	B	C	D	E
620019	120	122	60	180	128	10
620076	130	130	60	180	120	10
620047	150	140	60	180	110	10
620052	180	146	60	180	104	10

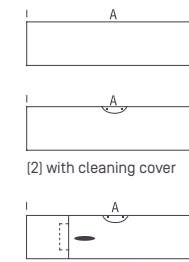
Specifications in mm



**DOUBLE WALL LINING**  
of 1 mm steel

Art.-No.	∅	A
620026	120	120
620084	130	120
620085	150	135
620086	180	135

Specifications in mm



**FLUE PIPE**

Art.-No.	∅	A	B		
(1)	(2)	(3)			
620012		120	250	60	
620072		130	250	60	
620034		150	250	60	
620035		180	250	60	
620013		120	500	60	
620065		130	500	60	
620036		150	500	60	
620037		180	500	60	
620014	620015	120	1000	60	
620069	620070	620071	130	1000	60
620038	620039	620040	150	1000	60
620041	620042	620043	180	1000	60

Specifications in mm

# OUR MODELS

AT A GLANCE



BONO XTRA



CLOU XTRA



CLOU COMPACT



CODY



DEXTER 2.0 / S3



FLOK 2.0



FYNN XTRA



G1



HEIDI BACK



IVY



JESS XTRA



JINI XTRA



KOKO 2.0



KOKO XTRA





KYLIE XTRA



LOUNGE XTRA



LUCY COOK



LUX



PALLAS



PALLAS BACK



SAM



SLIM 2.0



STILA



TOWER XTRA 2.0



UNO XTRA



WIEN



WOODY



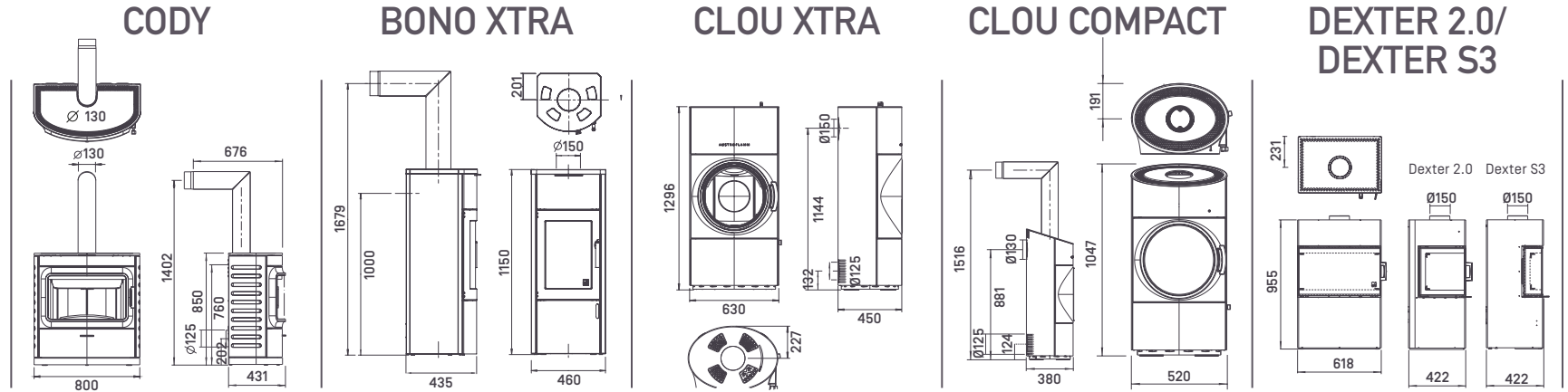
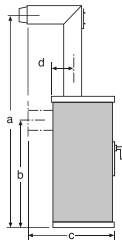
WOODY XTRA



MR. WU

Dimensions a and c:  
With original angled pipe

HMS – HEAT MEMORY SYSTEM  
– not available for this model



**DIMENSIONS AND WEIGHTS**

h x w x d with steel cladding (STM)	850 x 800 x 431 mm	1150 x 460 x 435 mm	1296 x 630 x 450 mm	1047 x 520 x 380 mm	955 x 618 x 422 mm
h x w x d with ceramic cladding (KMG)	-	-	-	-	-
h x w x d with soapstone cladding (SPM)	-	1160 x 500 x 434 mm	-	-	-
Firebox (h x w x d)	324 x 514 x 244 mm	510 x 257 x 260 mm	389 x 432 x 245 mm	349 x 328 x 225 mm	390/360 x 480/430 x 240/230 mm
Weight STM / KMG / SPM	185 kg	237 / - / 322 kg	273 / - / - kg	114 kg	145 / 165 kg
Flue pipe outlet	ø 130 mm	ø 150 mm	ø 150 mm	ø 130 mm	ø 150 mm
Flue pipe outlet centre	760 mm	1000 mm	1144 mm	880 mm	860 mm

**OUTPUT**

Nominal heat output as per EN 13240	8 kW	5 kW	8 kW	6 kW	6 kW
Min. / Max. heating capacity	3.5 / 9 kW	2.5 / 7 kW	4 / 11 kW	3.5 / 8 kW	3.5 / 8 kW
Energy efficiency class	A +	A +	A +	A +	A
Room heating capacity (depending on the building insulation)	82 - 210 m <sup>3</sup>	48 - 124 m <sup>3</sup>	98 - 255 m <sup>3</sup>	65 - 165 m <sup>3</sup>	65 - 165 m <sup>3</sup>

**FEATURES**

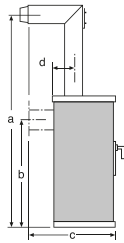
Xtra heat storage technology	-	as standard	<b>XTRA</b>	as standard	<b>XTRA</b>	-	-
Heat Memory System	-	-	-	-	-	-	Accessory <b>HMS</b>
Type 1	Self-locking door as standard	Self-locking door as standard	Self-locking door as standard	Self-locking door as standard	Self-locking door as standard	Self-locking door as standard	Self-locking door as standard
Cast iron cover	-	as standard	-	-	-	-	-
Warming compartment / cooking plate (w x d)	-	-	-	-	-	-	-
Baking compartment	-	-	-	-	-	-	-
KGM ceramic cladding	-	-	-	-	-	-	-
STM steel cladding	as standard	as standard	as standard	as standard	as standard	as standard	as standard
SPM soapstone cladding	-	Accessory	-	-	-	-	-
Soapstone cover	-	Accessory	-	-	-	-	-
Riddling grate and ash pan	-	as standard	-	-	-	-	-
Internal ash removal/Ash box	Accessory	-	as standard	as standard	as standard	as standard	as standard
Base plate / Flue pipe	Accessory	Accessory	Accessory	Accessory	Accessory	Accessory	Accessory
Dimensions (as per sketch above left)	a 1402 / b 760 / c 676 / d 97 mm	a 1679 / b 1000 / c 610 / d 201 mm	a 1813 / b 1144 / c 598 / d 227 mm	a 1516 / b 880 / c 574 / d 189 mm	a 1521 / b 860 / c 604 / d 231 mm	a 1521 / b 860 / c 604 / d 231 mm	a 1521 / b 860 / c 604 / d 231 mm
External air connection / operation independent of room air	At the back	At the back or underneath	At the back or underneath	At the back or underneath	At the back or underneath	At the back or underneath	Underneath

**DATA FOR THE CHIMNEY SWEEP**

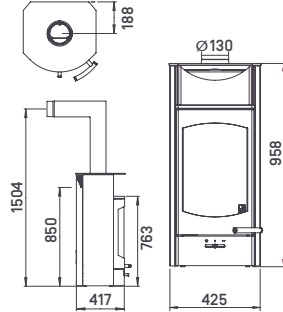
Exhaust gas mass flow	6.6 g/s	4.2 g/s	6.6 g/s	5.43 g/s	6 / 6.41 g/s
Exhaust gas temperature	360 °C	322 °C	357 °C	322 °C	326 / 302 °C
Minimum discharge pressure at nominal heat output	12 Pa	12 Pa	12 Pa	13 Pa	12 / 11 Pa
At 0.8 times nominal heat output	10 Pa	10 Pa	10 Pa	10 Pa	10 / 8 Pa

Dimensions a and c:  
With original angled pipe

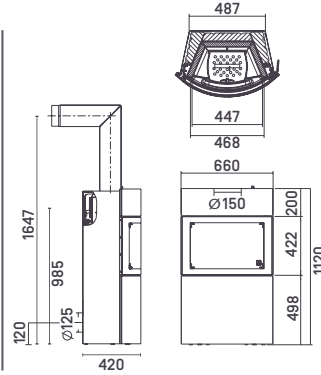
HMS – HEAT MEMORY SYSTEM  
– not available for this model



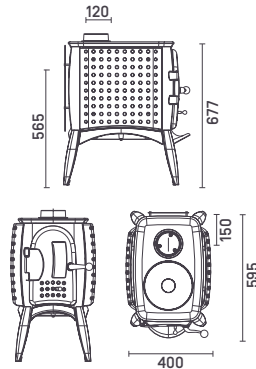
## FLOK 2.0



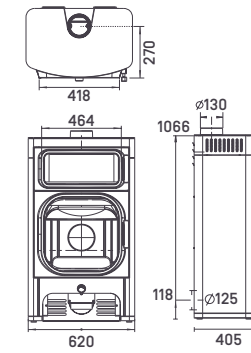
## FYNN XTRA



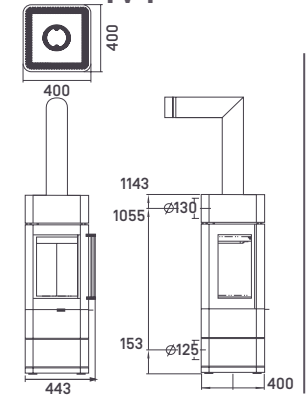
## G1



## HEIDI BACK



## IVY



### DIMENSIONS AND WEIGHTS

h x w x d with steel cladding (STM)	958 x 425 x 417 mm	1120 x 660 x 420 mm	677 x 400 x 595 mm (Guss)	1066 x 620 x 405 mm	1143 x 400 x 400 mm
h x w x d with ceramic cladding (KMG)	-	-	-	-	-
h x w x d with soapstone cladding (SPM)	986 x 433 x 417 mm	-	-	-	-
Firebox (h x w x d)	379 x 282 x 248 mm	438 x 447 x 233 mm	300 x 220 x 400 mm	376 x 418 x 270 mm	439 x 267 x 228 mm
Weight STM / KMG / SPM	110 / - / 149 kg	231 / - / - kg	85 / - / - kg	173 kg	125 kg
Flue pipe outlet	ø 130 mm	ø 150 mm	ø 120 mm	ø 130 mm	ø 130 mm
Flue pipe outlet centre	850 mm	985 mm	565 mm	974 mm	1055 mm

### OUTPUT

Nominal heat output as per EN 13240	4 kW	6 kW	6 kW	7 kW	5 kW
Min. / Max. heating capacity	2.5 / 6 kW	3.5 / 8 kW	3.5 / 8 kW	3.5 / 9 kW	2.5 / 7 kW
Energy efficiency class	A +	A +	A	A +	A +
Room heating capacity (depending on the building insulation)	34 - 88 m <sup>3</sup>	65 - 165 m <sup>3</sup>	65 - 165 m <sup>3</sup>	82 - 210 m <sup>3</sup>	48 - 124 m <sup>3</sup>

### FEATURES

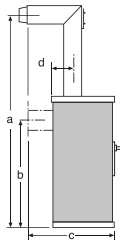
	-	as standard	XTRA	-	-	-
Xtra heat storage technology	-	as standard	XTRA	-	-	-
Heat Memory System	Accessory	HMS	-	Accessory	HMS	Accessory
Type 1	Self-locking door as standard	Self-locking door as standard	as standard	Self-locking door as standard	as standard	Self-locking door as standard
Cast iron cover	-	-	as standard	-	-	-
Warming compartment / cooking plate (w x d)	340 x 180 mm, ceramic, soapstone	-	-	-	-	-
Baking compartment	-	-	-	464 x 302 x 180 mm	-	-
KGM ceramic cladding	-	Accessory	-	-	-	-
STM steel cladding	as standard	as standard	-	as standard	as standard	as standard
SPM soapstone cladding	Accessory	-	-	-	-	-
Soapstone cover	Accessory	-	-	-	-	-
Riddling grate and ash pan	-	-	-	-	-	-
Internal ash removal/Ash box	as standard	as standard	-	as standard	as standard	as standard
Base plate / Flue pipe	Accessory	Accessory	Accessory	Accessory	Accessory	Accessory
Dimensions (as per sketch above left)	a 1504 / b 850 / c 605 / d 188 mm	a 1647 / b 985 / c 582 / d 200 mm	a 1237 / b 565 / c 822 / d 154 mm	a 1641 / b 974 / c 687 / d 102 mm	a 1699 / b 1055 / c 583 / d 200 mm	-
External air connection / operation independent of room air	At the back	At the back or underneath	-	At the back or underneath	At the back or underneath	At the back or underneath

### DATA FOR THE CHIMNEY SWEEP

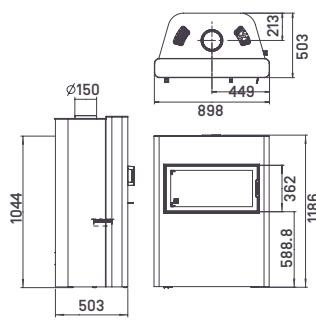
Exhaust gas mass flow	3.92 g/s	5 g/s	5.2 g/s	6.41 g/s	4.2 g/s
Exhaust gas temperature	343 °C	350 °C	330 °C	262 °C	263 °C
Minimum discharge pressure at nominal heat output	12 Pa	12 Pa	12 Pa	10 Pa	12 Pa
At 0.8 times nominal heat output	10 Pa	10 Pa	10 Pa	8 Pa	10 Pa

Dimensions a and c:  
With original angled pipe

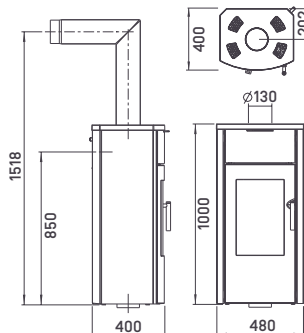
HMS – HEAT MEMORY SYSTEM  
– not available for this model



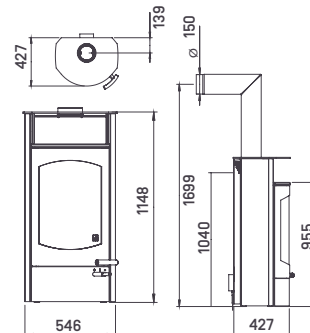
## JESS XTRA



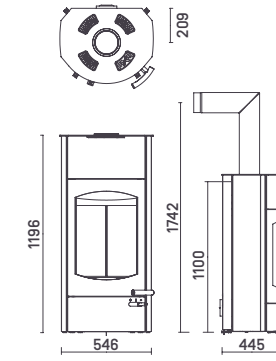
## JINI / JINI XTRA



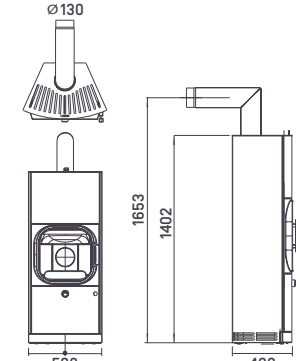
## KOKO 2.0



## KOKO XTRA 2.0



## KYLIE XTRA



### DIMENSIONS AND WEIGHTS

h x w x d with steel cladding (STM)	1186 x 898 x 503 mm	1000 x 480 x 400 mm	1148 x 546 x 427 mm	1196 x 546 x 445 mm	1402 x 598 x 400 mm
h x w x d with ceramic cladding (KMG)	-	-	-	-	-
h x w x d with soapstone cladding (SPM)	-	1000 x 480 x 400 mm	1148 x 546 x 427 mm	-	-
Firebox (h x w x d)	330 x 638 x 328 mm	379 x 282 x 224 mm	490 x 388 x 267 mm	490 x 388 x 267 mm	376 x 414 x 270 mm
Weight STM / KMG / SPM	288 / - / - kg	125 / 226 Xtra / - / 170 kg	152 / - / 177 kg	253 / - / - kg	270 kg
Flue pipe outlet	ø 150 mm	ø 130 mm	ø 150 mm	ø 150 mm	ø 130 mm
Flue pipe outlet centre	1044 mm	850 mm	1040 mm	1100 mm	1004 mm

### OUTPUT

Nominal heat output as per EN 13240	8 kW	4 kW	6 kW	6 kW	6 kW
Min. / Max. heating capacity	4 / 11 kW	2.5 / 6 kW	3.5 / 8 kW	3.5 / 8 kW	3.5 / 8 kW
Energy efficiency class	A +	A +	A +	A +	A +
Room heating capacity (depending on the building insulation)	98 - 255 m <sup>3</sup>	34 - 88 m <sup>3</sup>	65 - 165 m <sup>3</sup>	65 - 165 m <sup>3</sup>	65 - 165 m <sup>3</sup>

### FEATURES

	as standard	XTRA	- / as standard	XTRA	-	HMS	as standard	XTRA	as standard	XTRA
Xtra heat storage technology	-	-	-	-	-	-	-	-	-	-
Heat Memory System	-	-	Accessory / -	Accessory	-	Accessory	-	-	-	-
Type 1	Self-locking door as standard	Self-locking door as standard	Self-locking door as standard	Self-locking door as standard	Self-locking door as standard	Self-locking door as standard	Self-locking door as standard	Self-locking door as standard	Self-locking door as standard	Self-locking door as standard
Cast iron cover	-	-	as standard	-	-	-	-	-	-	-
Warming compartment / cooking plate (w x d)	-	-	-	425 x 220 mm, ceramic, soapstone	-	-	-	-	-	-
Baking compartment	-	-	-	-	-	-	-	-	-	-
KGM ceramic cladding	-	-	-	-	-	-	-	-	-	-
STM steel cladding	as standard	as standard	as standard	as standard	as standard	as standard	as standard	as standard	as standard	as standard
SPM soapstone cladding	-	-	Accessory / -	Accessory	-	-	-	-	-	-
Soapstone cover	-	-	Accessory / -	Accessory	-	-	-	-	-	-
Riddling grate and ash pan	-	-	as standard	-	-	-	-	-	-	-
Internal ash removal/Ash box	Accessory	-	-	as standard	as standard	as standard	as standard	as standard	as standard	as standard
Base plate / Flue pipe	Accessory	Accessory	Accessory	Accessory	Accessory	Accessory	Accessory	Accessory	Accessory	Accessory
Dimensions (as per sketch above left)	a 1722 / b 1044 / c 652 / d 213 mm	a 1518 / b 850 / c 583 / d 202 mm	a 1518 / b 850 / c 583 / d 202 mm	a 1699 / b 1040 / c 655 / d 139 mm	a 1755 / b 1100 / c 605 / d 209 mm	a 1654 / b 1004 / c 658 / d 125 mm	a 1755 / b 1100 / c 605 / d 209 mm	a 1654 / b 1004 / c 658 / d 125 mm	a 1654 / b 1004 / c 658 / d 125 mm	a 1654 / b 1004 / c 658 / d 125 mm
External air connection / operation independent of room air	At the back or underneath	Underneath	Underneath	At the back	At the back	At the back	At the back	At the back	At the back or underneath	At the back or underneath

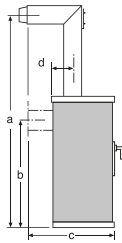
### DATA FOR THE CHIMNEY SWEEP

Exhaust gas mass flow	6.49 g/s	3.9 g/s	4.4 g/s	4.4 g/s	4.67 g/s
Exhaust gas temperature	332 °C	343 °C	331 °C	331 °C	297 °C
Minimum discharge pressure at nominal heat output	12 Pa	12 Pa	12 Pa	12 Pa	10 Pa
At 0.8 times nominal heat output	10 Pa	10 Pa	10 Pa	10 Pa	8 Pa

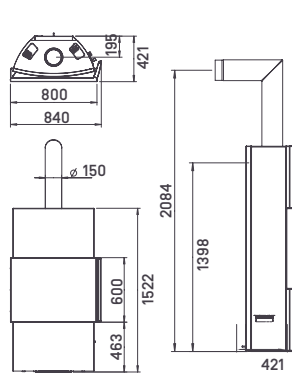


Dimensions a and c:  
With original angled pipe

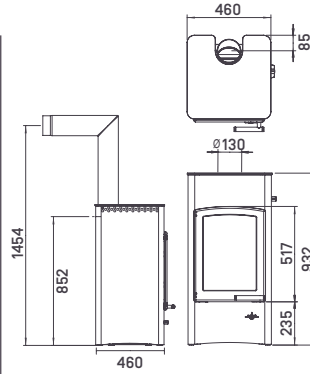
HMS – HEAT MEMORY SYSTEM  
– not available for this model



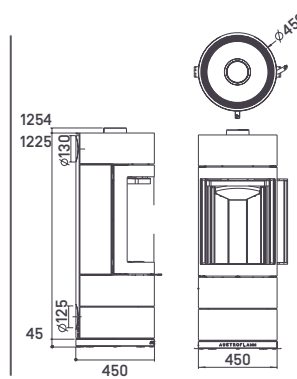
## LOUNGE XTRA



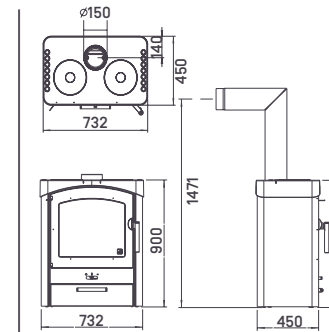
## LUCY COOK



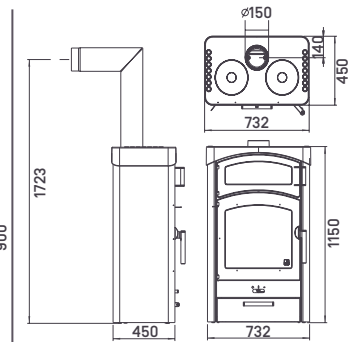
## LUX



## PALLAS



## PALLAS BACK



### DIMENSIONS AND WEIGHTS

h x w x d with steel cladding (STM)	1522 x 840 x 421 mm	932 x 460 x 460 mm	1225 x 450 x 450 mm	900 x 732 x 450 mm	1150 x 732 x 450 mm
h x w x d with ceramic cladding (KMG)	-	-	-	900 x 732 x 450 mm	1150 x 732 x 450 mm
h x w x d with soapstone cladding (SPM)	-	-	-	900 x 732 x 450 mm	1150 x 732 x 450 mm
Firebox (h x w x d)	445 x 600 x 260 mm	471 x 302 x 239 mm	525 x 291 x 291 mm	350 x 520 x 225 mm	350 x 520 x 225 mm
Weight STM / KMG / SPM	198 / 338 Xtra / - / - kg	150 / - / - kg	133 kg	170 / 205 / 265 kg	207 / 225 / 325 kg
Flue pipe outlet	ø 150 mm	ø 130 mm	ø 130 mm	ø 150 mm	ø 150 mm
Flue pipe outlet centre	1395 mm	852 mm	1133 mm	770 mm	1020 mm

### OUTPUT

Nominal heat output as per EN 13240	8 kW	6 kW	7 kW	9 kW	9 kW
Min. / Max. heating capacity	4 / 11 kW	3.5 / 8 kW	3.5 / 9 kW	4.5 / 13 kW	4.5 / 13 kW
Energy efficiency class	A +	A +	A +	A	A
Room heating capacity (depending on the building insulation)	98 - 255 m <sup>3</sup>	65 - 165 m <sup>3</sup>	82 - 210 m <sup>3</sup>	114 - 305 m <sup>3</sup>	114 - 305 m <sup>3</sup>

### FEATURES

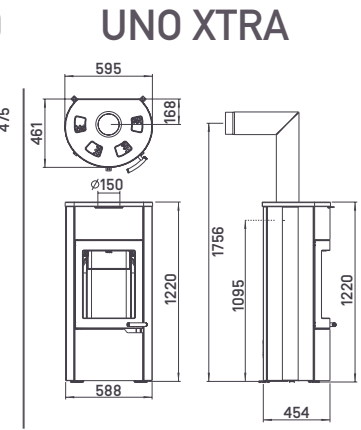
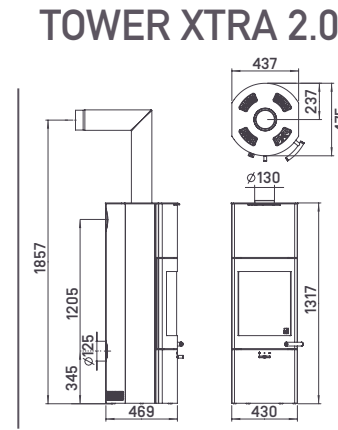
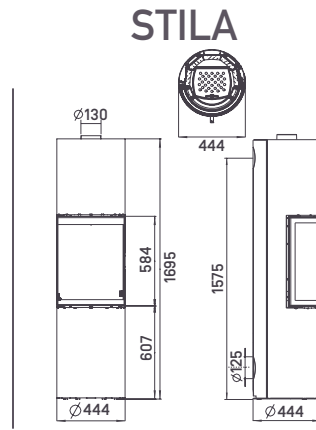
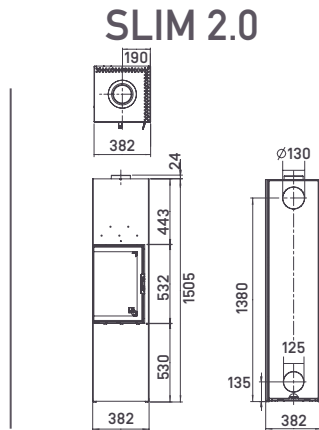
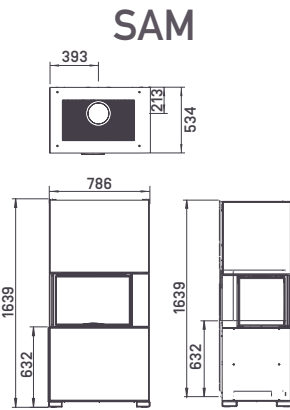
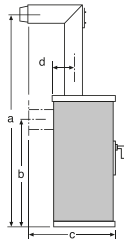
Xtra heat storage technology	- / as standard	<b>XTRA</b>	-	-	-
Heat Memory System	-	-	Accessory	<b>HMS</b>	Accessory
Type 1	Self-locking door as standard	Self-locking door as standard	Self-locking door as standard	as standard	as standard
Cast iron cover	-	-	-	as standard	as standard
Warming compartment / cooking plate (w x d)	-	cooking plate 460 x 460 mm	-	-	-
Baking compartment	-	-	-	-	415 x 300 mm
KGM ceramic cladding	-	-	-	Accessory	Accessory
STM steel cladding	as standard	as standard	as standard	as standard	as standard
SPM soapstone cladding	-	-	-	-	-
Soapstone cover	-	-	-	-	-
Riddling grate and ash pan	-	-	-	-	-
Internal ash removal/Ash box	as standard	as standard	as standard	Accessory	Accessory
Base plate / Flue pipe	Accessory	Accessory	Accessory	Accessory	Accessory
Dimensions (as per sketch above left)	a 2066 / b 1395 / c 599 / d 195 mm	a 1454 / b 852 / c 741 / d 85 mm	a 1782 / b 1133 / c 608 / d 225 mm	a 1474 / b 770 / c 663 / d 140 mm	a 1723 / b 1020 / c 663 / d 140 mm
External air connection / operation independent of room air	At the back or underneath	At the back	At the back or underneath	as standard, At the back	as standard, At the back

### DATA FOR THE CHIMNEY SWEEP

Exhaust gas mass flow	6.5 g/s	4.9 g/s	6.1 g/s	9.2 g/s	9.2 g/s
Exhaust gas temperature	330 °C	290 °C	273 °C	310 °C	310 °C
Minimum discharge pressure at nominal heat output	12 Pa	12 Pa	12 Pa	12 Pa	12 Pa
At 0.8 times nominal heat output	10 Pa	10 Pa	10 Pa	10 Pa	10 Pa

Dimensions a and c:  
With original angled pipe

HMS – HEAT MEMORY SYSTEM  
– not available for this model



### DIMENSIONS AND WEIGHTS

h x w x d with steel cladding (STM)	1639 x 786 x 534 mm	1505 x 382 x 382 mm	1695 x 444 x 444 mm	1317 x 430 x 469 mm	1220 x 588 x 454 mm
h x w x d with ceramic cladding (KMG)	1639 x 786 x 534 mm	-	-	-	1220 x 588 x 454 mm
h x w x d with soapstone cladding (SPM)	-	-	-	-	1220 x 588 x 454 mm
Firebox (h x w x d)	439 x 267 x 228 mm	550 x 262 x 252 mm	558 x 291 x 291 mm	379 x 282 x 248 mm	497 x 363 x 275 mm
Weight STM / KMG / SPM	327 kg total weight	140 / - / - kg	142 / - / - kg	263 / - / - kg	252 / 283 / 312 kg
Flue pipe outlet	ø 150 mm	ø 130 mm	ø 130 mm	ø 130 mm	ø 150 mm
Flue pipe outlet centre	1055 mm	1380 mm	1575 mm	1205 mm	1095 mm

### OUTPUT

Nominal heat output as per EN 13240	8 kW	5 kW	5 kW	4 kW	7 kW
Min. / Max. heating capacity	4 / 11 kW	3 / 7 kW	2.5 / 7 kW	2.5 / 6 kW	3.5 / 9 kW
Energy efficiency class	A +	A +	A +	A +	A +
Room heating capacity (depending on the building insulation)	98 - 225 m <sup>3</sup>	48 - 124 m <sup>3</sup>	48 - 124 m <sup>3</sup>	34 - 88 m <sup>3</sup>	82 - 210 m <sup>3</sup>

### FEATURES

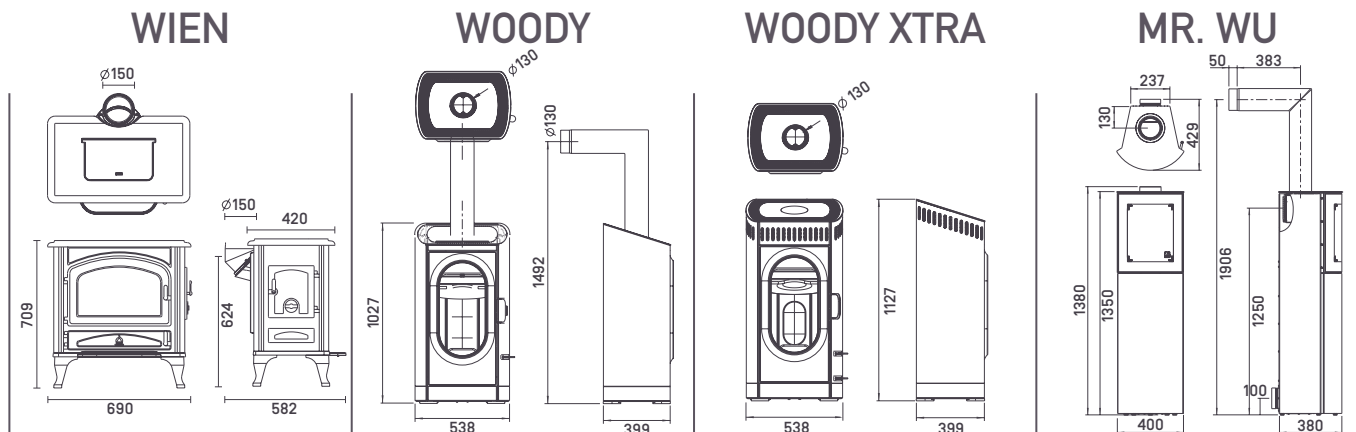
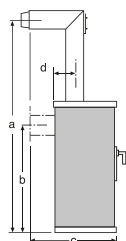
				as standard	XTRA	as standard	XTRA
Xtra heat storage technology	-	-	-	as standard	XTRA	as standard	XTRA
Heat Memory System	Accessory	HMS	Accessory	HMS	Accessory	HMS	Accessory
Type 1	Self-locking door as standard	Self-locking door as standard	Self-locking door as standard	Self-locking door as standard	Self-locking door as standard	Self-locking door as standard	Self-locking door as standard
Cast iron cover	-	-	-	-	-	-	-
Warming compartment / cooking plate (w x d)	-	-	-	-	-	-	-
Baking compartment	-	-	-	-	-	-	-
KGM ceramic cladding	-	-	-	-	-	-	Accessory
STM steel cladding	as standard	as standard	as standard	as standard	as standard	as standard	as standard
SPM soapstone cladding	-	-	-	-	-	-	Accessory
Soapstone cover	-	-	-	-	-	-	Accessory
Riddling grate and ash pan	-	-	-	-	-	-	as standard
Internal ash removal/Ash box	as standard	as standard	as standard	as standard	as standard	as standard	-
Base plate / Flue pipe	Accessory	Accessory	Accessory	Accessory	Accessory	Accessory	Accessory
Dimensions (as per sketch above left)	a 1699 / b 1055 / c 583 / d 200 mm	a 2060 / b 1380 / c 562 / d 190 mm	a 2257 / b 1575 / c 605 / d 222 mm	a 1857 / b 1205 / c 605 / d 237 mm	a 1756 / b 1095 / c 651 / d 168 mm	a 1756 / b 1095 / c 651 / d 168 mm	a 1756 / b 1095 / c 651 / d 168 mm
External air connection / operation independent of room air	At the back or underneath	At the back or underneath	At the back or underneath	At the back or underneath	At the back or underneath	At the back or underneath	At the back

### DATA FOR THE CHIMNEY SWEEP

Exhaust gas mass flow	7.65 g/s	5.8 g/s	4.6 g/s	3.92 g/s	6.5 g/s
Exhaust gas temperature	230 °C	237 °C	311 °C	343 °C	300 °C
Minimum discharge pressure at nominal heat output	12 Pa	12 Pa	12 Pa	12 Pa	12 Pa
At 0.8 times nominal heat output	10 Pa	10 Pa	10 Pa	10 Pa	10 Pa

Dimensions a and c:  
With original angled pipe

**HMS – HEAT MEMORY SYSTEM**  
– not available for this model



### DIMENSIONS AND WEIGHTS

h x w x d with steel cladding (STM)	709 x 690 x 582 mm (cast iron)	1027 x 538 x 399 mm	1127 x 538 x 399 mm	1350 x 400 x 380 mm
h x w x d with ceramic cladding (KMG)	-	-	-	-
h x w x d with soapstone cladding (SPM)	-	-	-	-
Firebox (h x w x d)	315 x 510 x 250 mm	412 x 328 x 209 mm	412 x 328 x 209 mm	335 x 170 x 250 mm
Weight STM / KMG / SPM	160 / - / - kg	135 / 258 kg	135 / 258 kg	140 kg
Flue pipe outlet	ø 150 mm	ø 130 mm	ø 130 mm	ø 130 mm
Flue pipe outlet centre	624 mm	864 mm	864 mm	1250 mm

### OUTPUT

Nominal heat output as per EN 13240	6 kW	6 kW	6 kW	5 kW
Min. / Max. heating capacity	4 / 9 kW	3.5 / 8 kW	3.5 / 8 kW	3 / 6 kW
Energy efficiency class	A +	A +	A +	A +
Room heating capacity (depending on the building insulation)	65 - 165 m <sup>3</sup>	65 - 165 m <sup>3</sup>	65 - 165 m <sup>3</sup>	48 - 124 m <sup>3</sup>

### FEATURES

Xtra heat storage technology	-	-	as standard	<b>XTRA</b>	-
Heat Memory System	-	-	-	-	-
Type 1	-	Self-locking door as standard	Self-locking door as standard	Self-locking door as standard	Self-locking door as standard
Cast iron cover	as standard	as standard	as standard	as standard	-
Warming compartment / cooking plate (w x d)	-	-	-	-	-
Baking compartment	-	-	-	-	-
KGM ceramic cladding	-	-	-	-	-
STM steel cladding	-	as standard	as standard	as standard	as standard
SPM soapstone cladding	-	Accessory	Accessory	Accessory	-
Soapstone cover	-	Accessory	Accessory	Accessory	-
Riddling grate and ash pan	as standard	as standard	as standard	as standard	-
Internal ash removal/Ash box	-	-	-	-	as standard
Base plate / Flue pipe	Accessory	Accessory	Accessory	Accessory	Accessory
Dimensions (as per sketch above left)	a 1277 / b 667 / c 870 / d -33 mm	a 1492 / b 864 / c 592 / d 185 mm	a 1492 / b 864 / c 592 / d 185 mm	a 1492 / b 864 / c 592 / d 185 mm	a 1906 / b 1250 / c 633 / d 130 mm
External air connection / operation independent of room air	-	Underneath	Underneath	Underneath	At the back or underneath

### DATA FOR THE CHIMNEY SWEEP

Exhaust gas mass flow	6.1 g/s	5.78 g/s	5.78 g/s	4.2 g/s
Exhaust gas temperature	314 °C	294 °C	294 °C	299 °C
Minimum discharge pressure at nominal heat output	11 Pa	12 Pa	12 Pa	12 Pa
At 0.8 times nominal heat output	9 Pa	10 Pa	10 Pa	10 Pa







Austroflamm wood-burning stoves are sold worldwide through specialist retailers.  
Please visit our homepage for further information.

[www.austroflamm.com](http://www.austroflamm.com)

We reserve the right to make technical and visual modifications without prior notice, and do not accept liability for errors in composition or printing.





[www.austroflamm.com](http://www.austroflamm.com)

**AUSTROFLAMM GmbH**  
Austroflamm-Platz 1, A-4631 Krenglbach  
T: +43 7249 46443-0, [info@austroflamm.com](mailto:info@austroflamm.com)