

ECKA 67/45/51L left

Technical data

Version 2019/08

	operation when directly connected to chimney		operation when connected accumulation mass	
	cupola	hot air exchanger	cupola	adaptor
Energy label	A	A+	A+	A+
Operating data				
Nominal heat power	8 kW	12 kW	----	----
Efficiency	> 80 %	> 80 %	----	----
Consumption of wood	2,4 kg/h	3,5 kg/h	5,5 kg	5 kg
Total heat output of the burning chamber	----	----	22 kW	18 kW
Mass flow of flue gas	8 g/s	10 g/s	15 g/s	16 g/s
Required chimney pressure	12 Pa	12 Pa	12 Pa	15 Pa
Required amount of combustion air	30 m ³ /h	40 m ³ /h	60 m ³ /h	50 m ³ /h
Average flue gas temperature				
on the output	249 °C	269 °C	356 °C	380 °C
past 3,2 m of ceramic accumulation system KMS 300 ¹	----	----	184 °C	----
past accumulation rings (5x acc. ring Ø440mm)	----	----	----	217 °C
Heat distribution				
fireplace insert	62–74 %	62–74 %	37 %	33 %
door glass (single / double)	38 / 26 %	38 / 26 %	38 / 26 %	38 / 26 %
adjoining accumulation mass	----	----	25–37 %	29–41 %
Information for ventilated builds				
Minimal grill area supply / outgoing	700 / 850 cm ²	1050 / 1250 cm ²	1050 / 1250 cm ²	1050 / 1250 cm ²
Minimum distance from insulated areas / floor	50 / 0 mm		50 / 0 mm	
Reference insulation ² ceiling / back wall / side wall / floor	120 / 80 / 80 / 0 mm		120 / 80 / 80 / 0 mm	
Calciumsilicate insulation ³ ceiling / back wall / side wall / floor	90 / 60 / 60 / 0 mm		90 / 60 / 60 / 0 mm	
Information for non-ventilated builds (closed grills)				
Minimum radiant area ⁴	4,5 m ²		5,5 m ²	
Minimum distance from insulated areas / floor	50 / 20 mm		50 / 20 mm	
Reference insulation ² ceiling / back wall / side wall / floor	160 / 100 / 100 / 20 mm		160 / 100 / 100 / 20 mm	
Calciumsilicate insulation ³ ceiling / back wall / side wall / floor	120 / 75 / 75 / 20 mm		120 / 75 / 75 / 20 mm	
General technical information				
Total weight / lining weight	ca. 320 / 87 kg		ca. 320 / 87 kg	
Burning chamber dimensions (width x depth)	535 x 315 mm			
Combustion air connection	Ø 125 mm			
Use in non-ventilated accumulation builds according to craft rules	suitable			
Tested according to	EN 13229			
Meets values	1. BlmSchV (Stufe2), 15a BVG, NS 3059			

¹ Listed value from testing. For accurate results is evaluation of each system in the Ortnr / KOV program necessary.

² Mineral wool according to AGI-Q 132

³ Example SkamoEnclousure Board 225 kg/m³

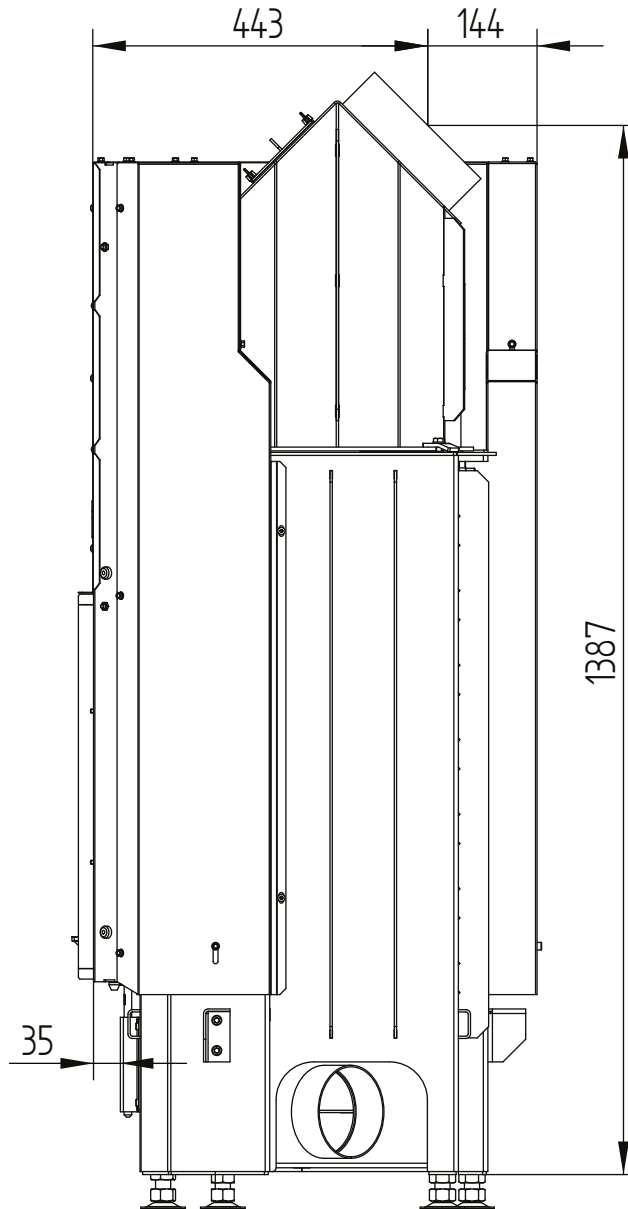
⁴ Depends on accumulation period and material characteristics. Listed values calculated with chamotte stone thickness 30 mm with radiant area 500 W/m²

ECKA 67/45/51L left

Technical data
Version 2019/08

liftdoor hot air exchanger 45°

M 1:10

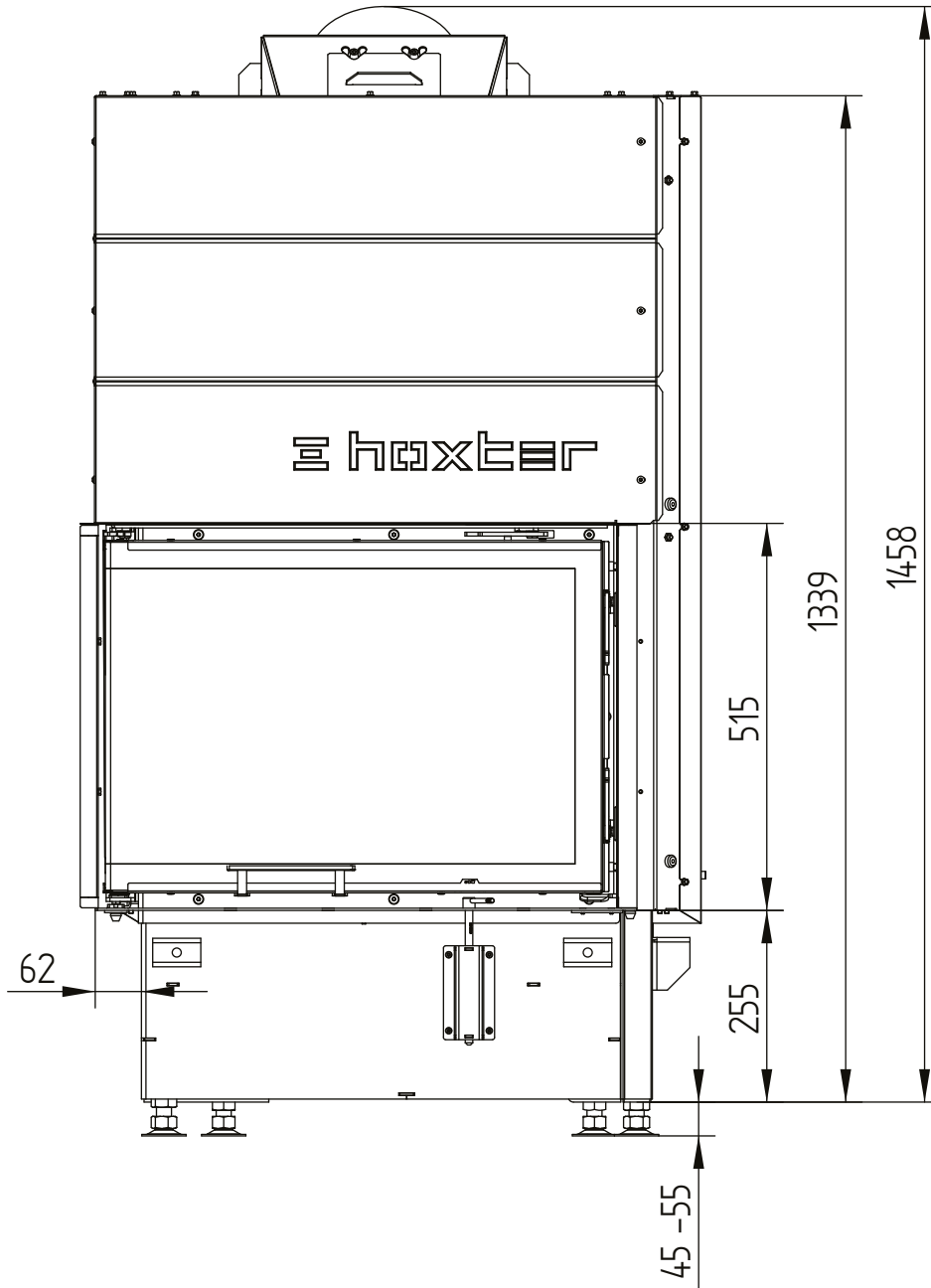


ECKA 67/45/51L left

Technical data
Version 2019/08

liftdoor hot air exchanger 45°

M 1:10

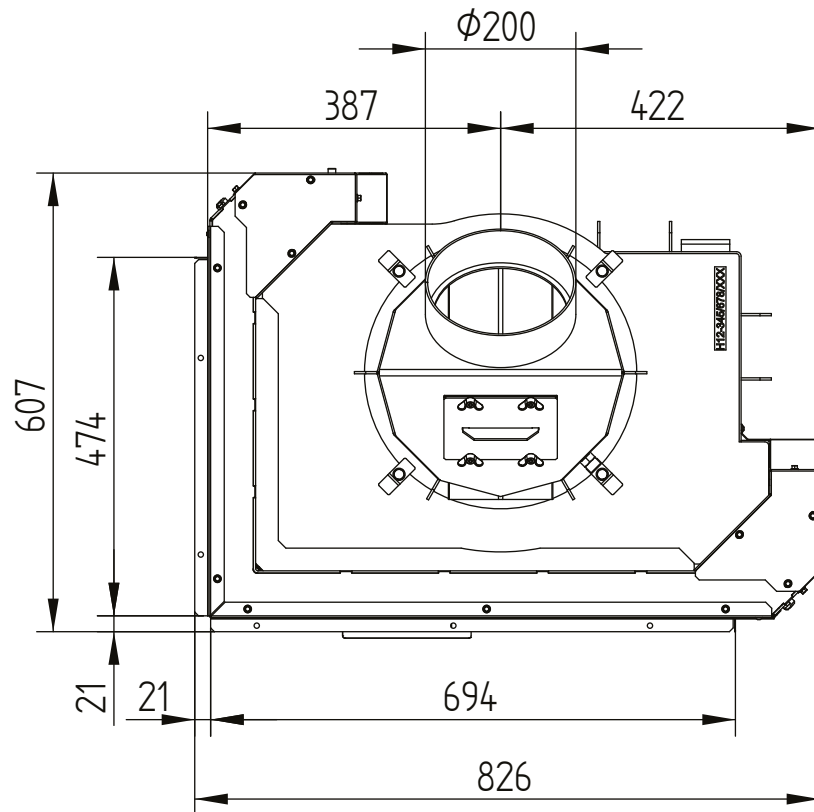


ECKA 67/45/51L left

Technical data
Version 2019/08

liftdoor hot air exchanger 45°

M 1:10

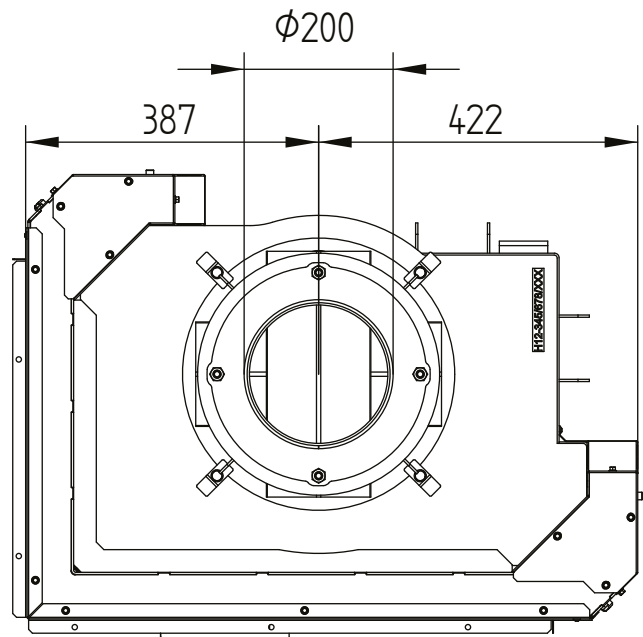
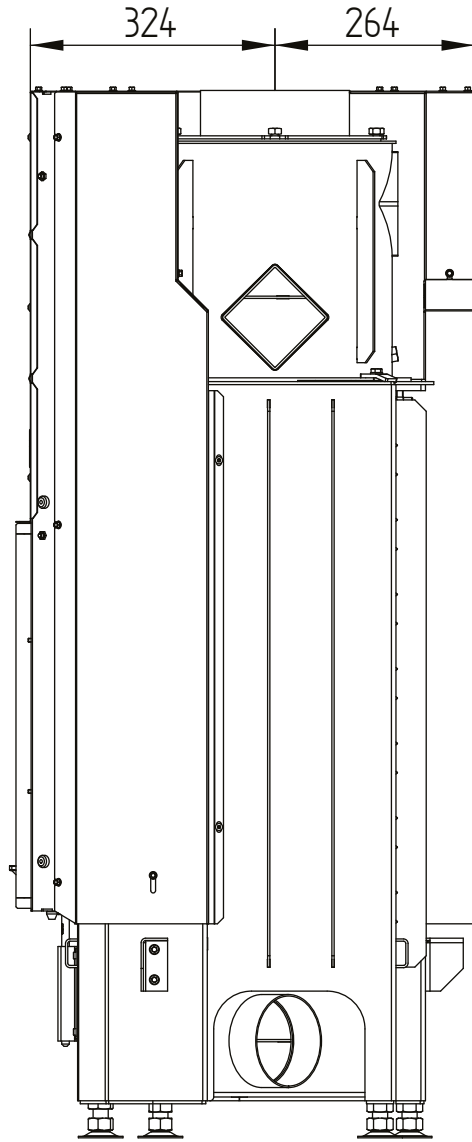


ECKA 67/45/51L left

Technical data
Version 2019/08

liftdoor hot air exchanger vertical

M 1:10

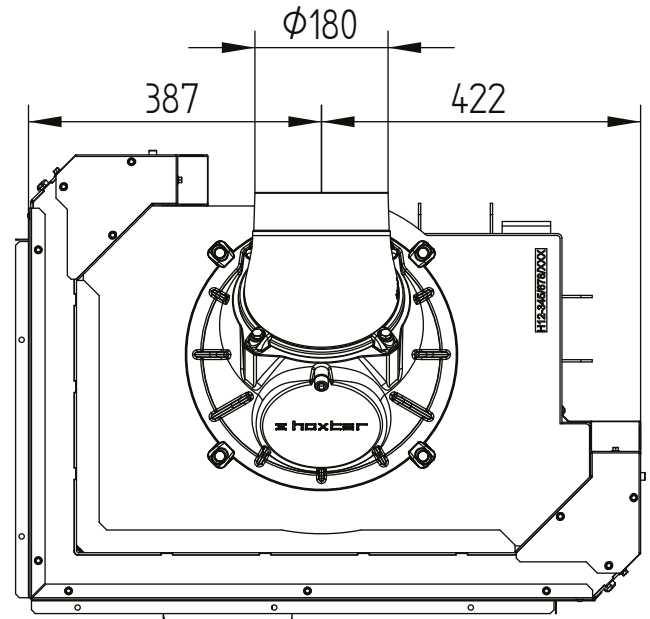
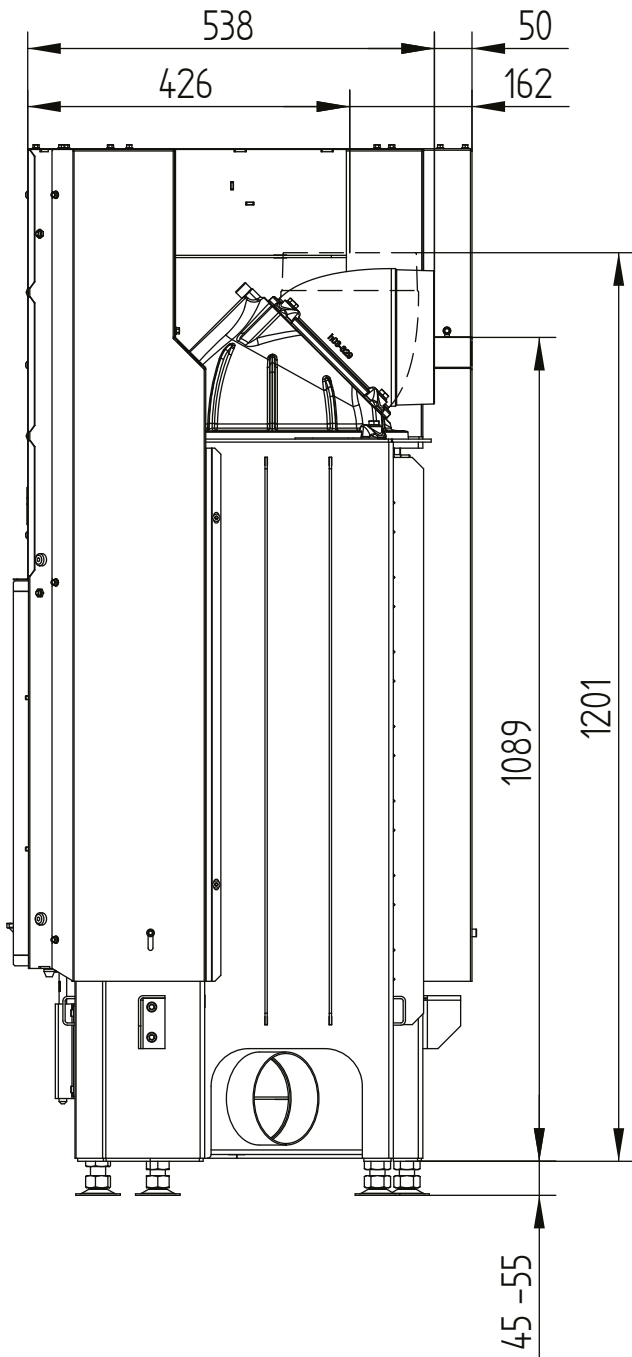


ECKA 67/45/51L left

Technical data
Version 2019/08

liftdoor cupola

M 1:10

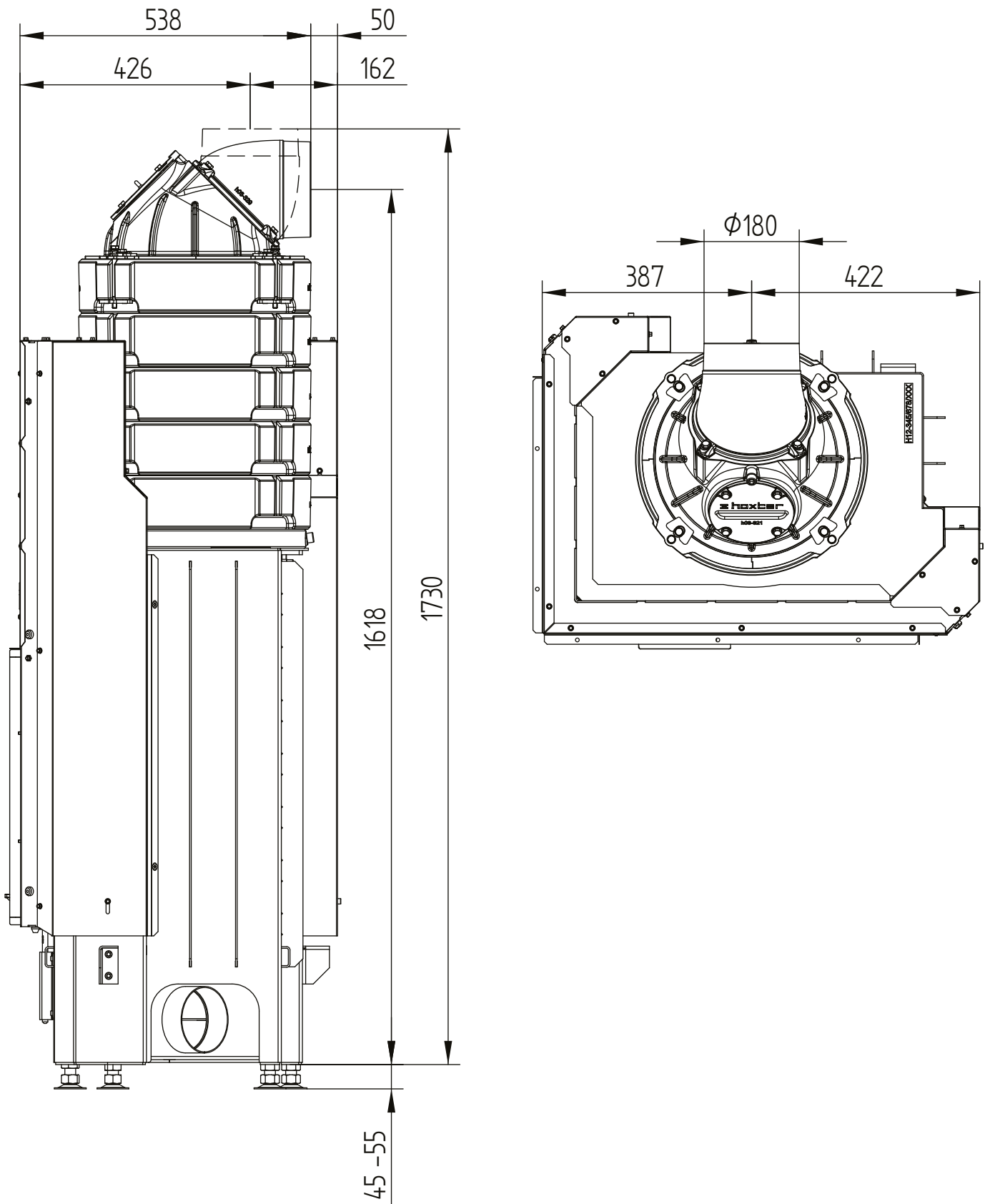


ECKA 67/45/51L left

Technical data
Version 2019/08

liftdoor accumulation rings

M 1:10

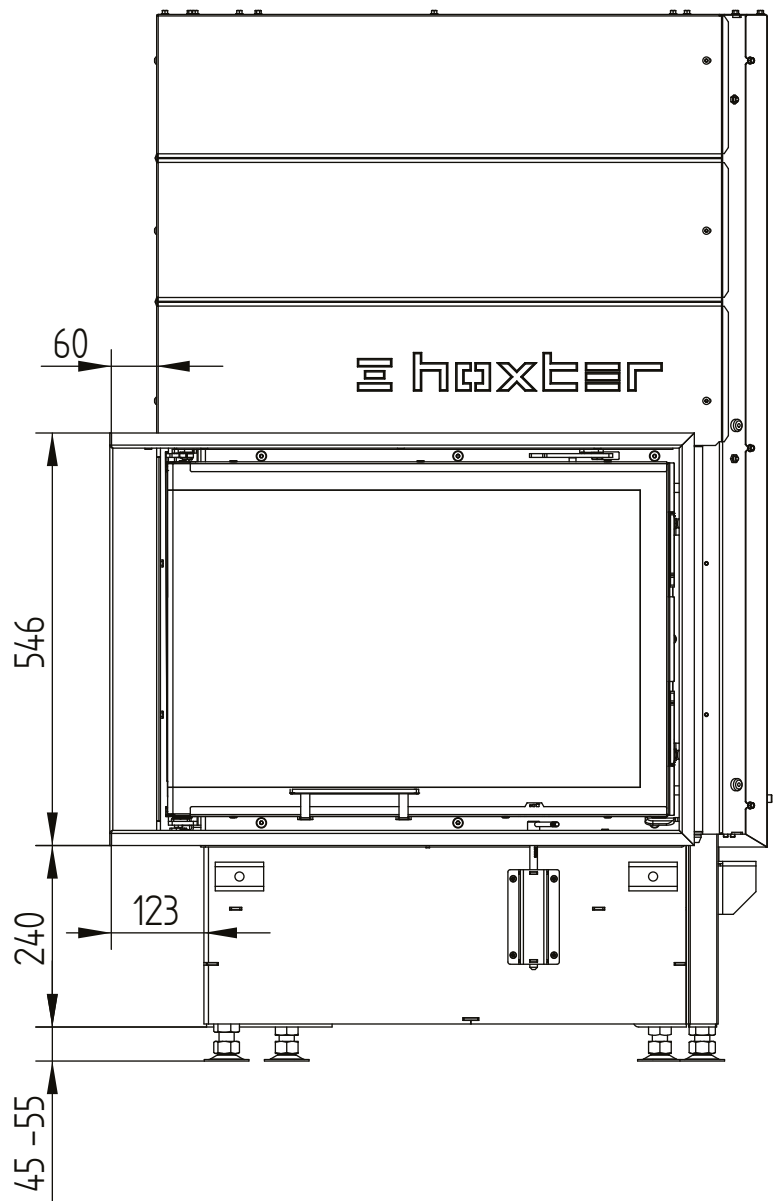
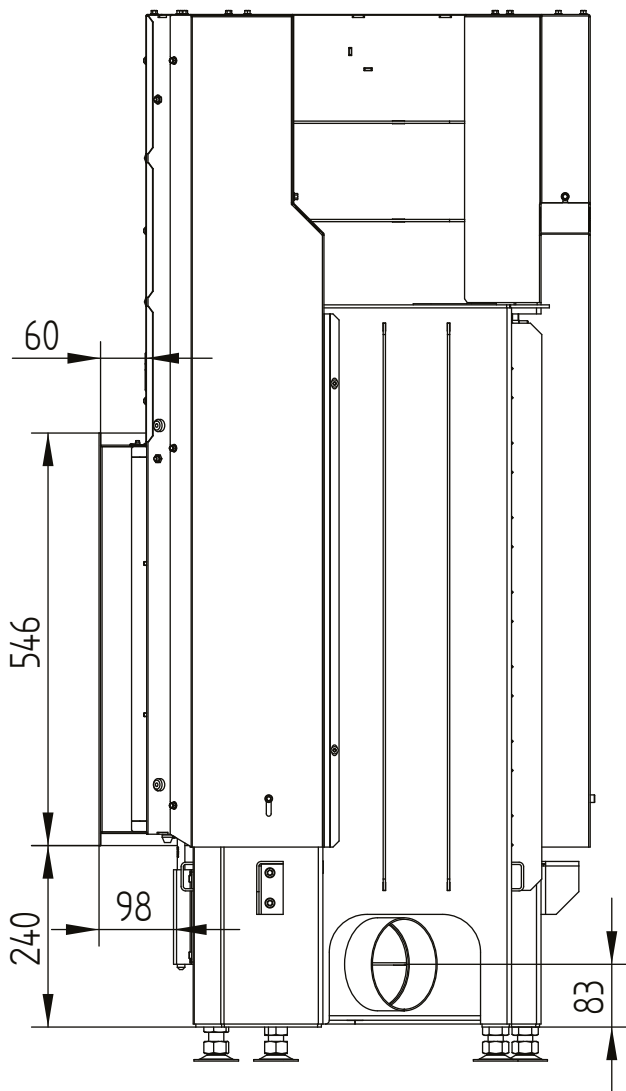


ECKA 67/45/51L left

Technical data
Version 2019/08

cover frame 67/45/51Lh left liftdoor 6sides 1 x 90° 60 mm / air connection

M 1:10

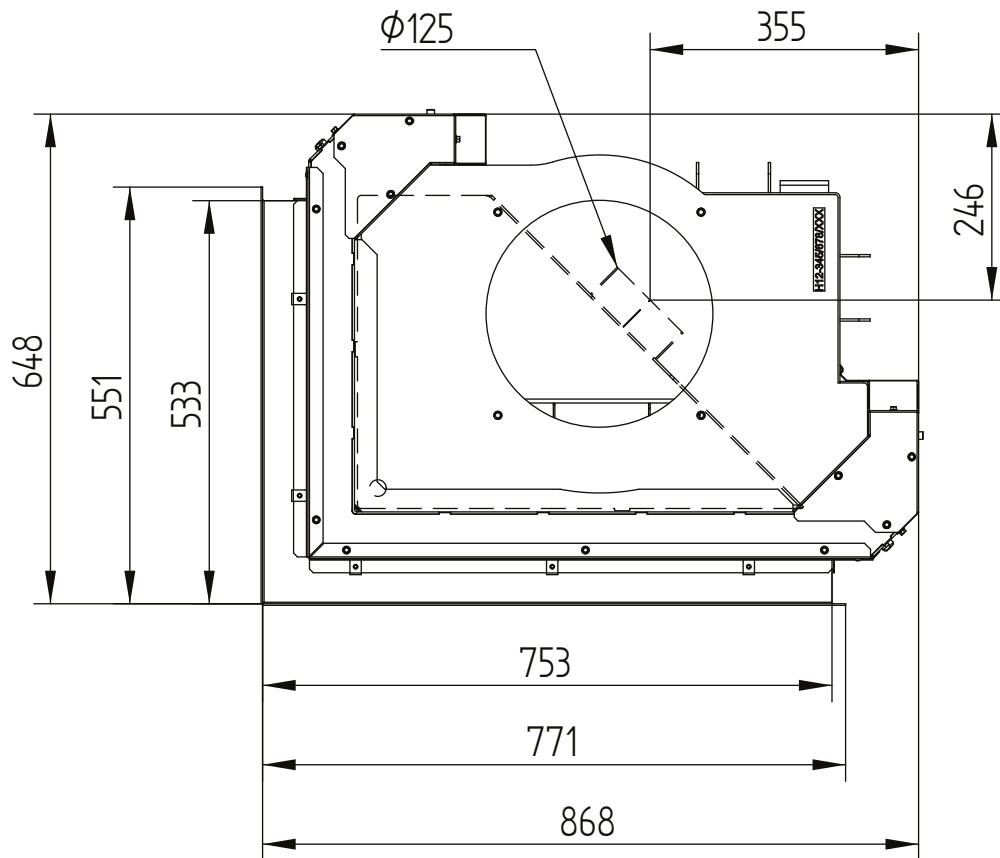


ECKA 67/45/51L left

Technical data
Version 2019/08

cover frame 67/45/51Lh left liftdoor 6sides 1 x 90° 60 mm / air connection

M 1:10

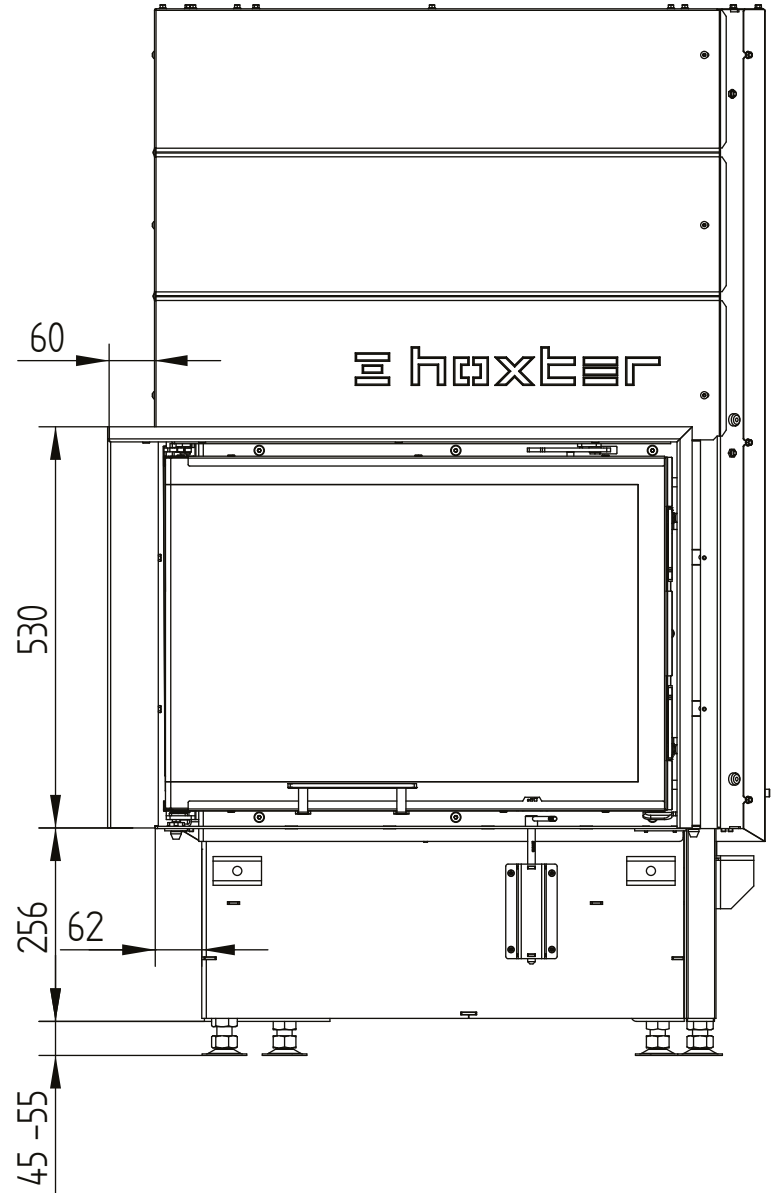
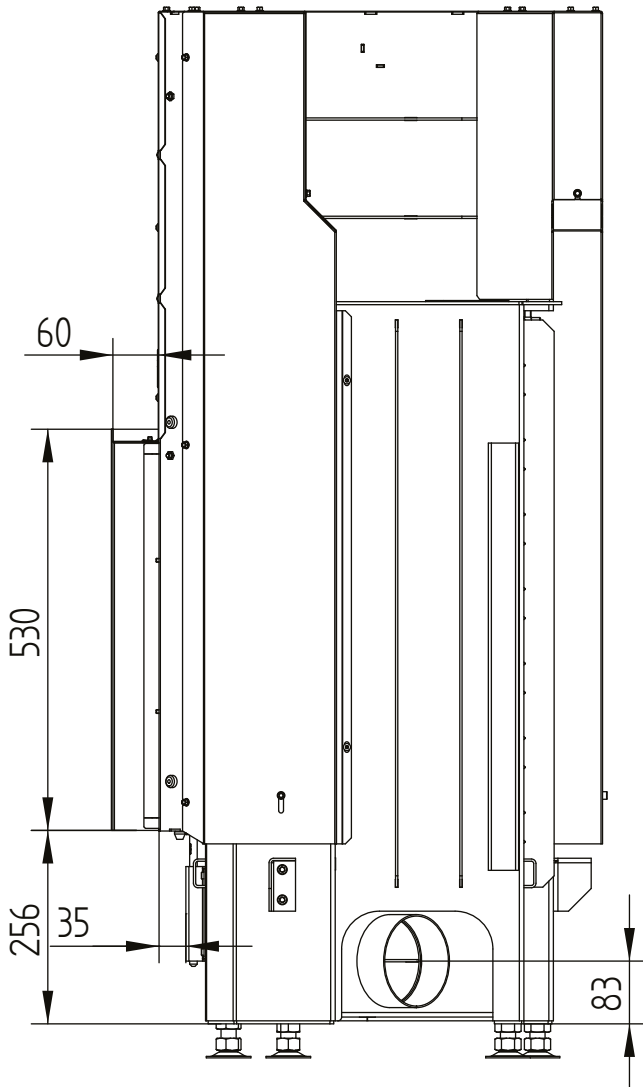


ECKA 67/45/51L left

Technical data
Version 2019/08

cover frame 67/45/51Lh left liftdoor 4 seitig 1 x 90° 60 mm

M 1:10

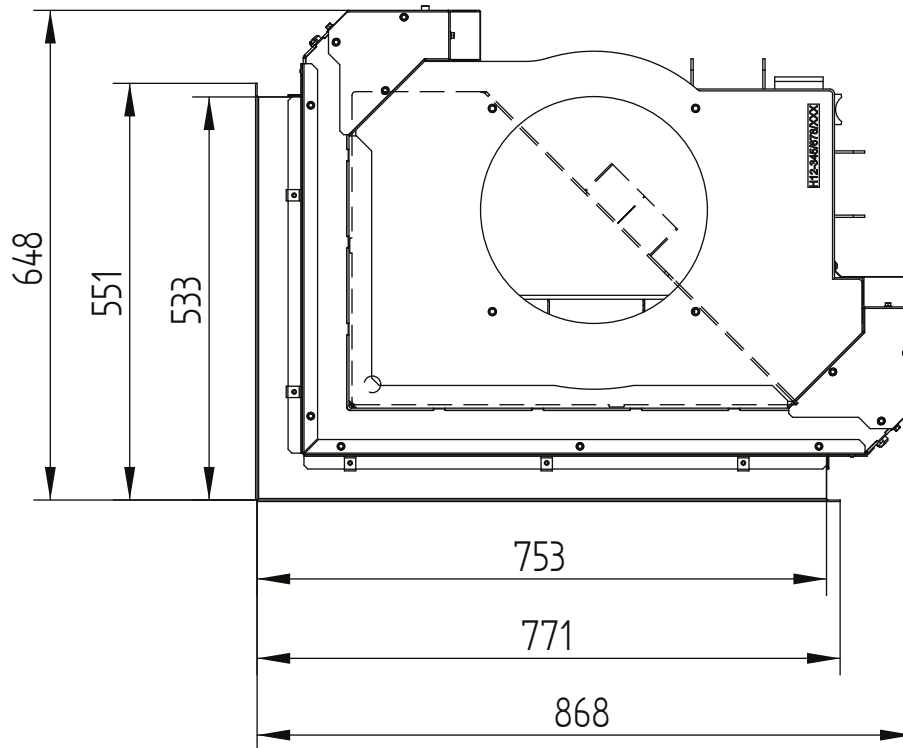


ECKA 67/45/51L left

Technical data
Version 2019/08

cover frame 67/45/51Lh left liftdoor 4 seitig 1 x 90° 60 mm

M 1:10

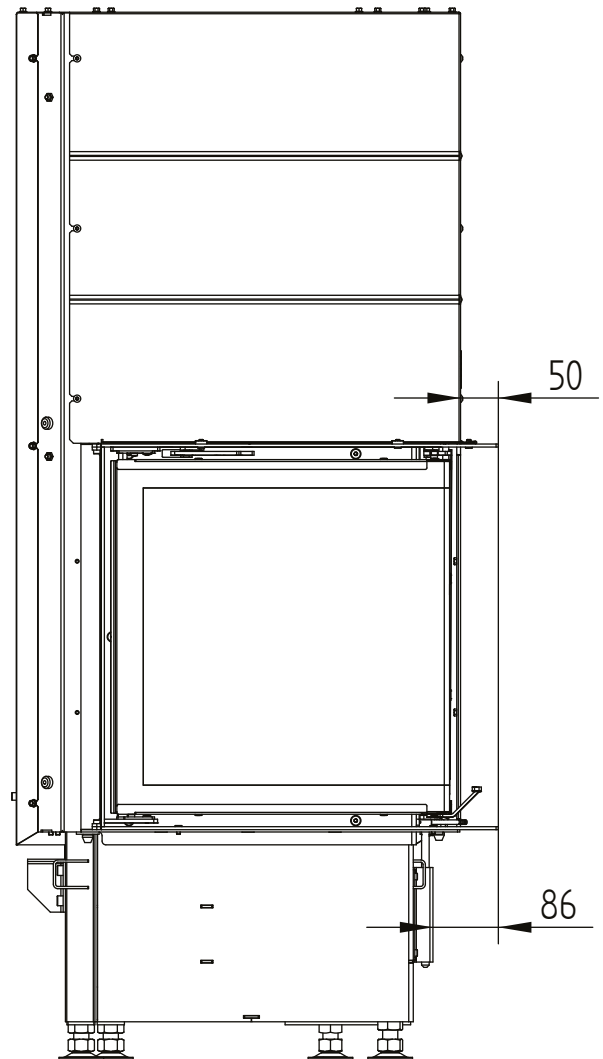
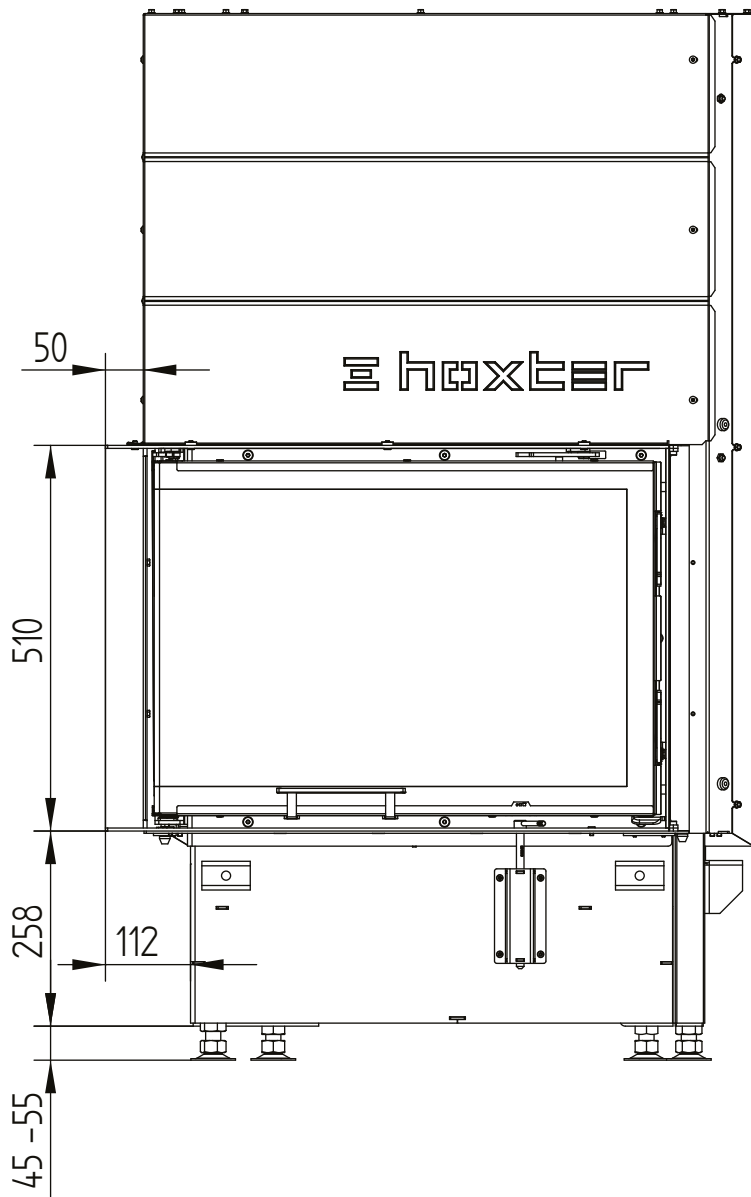


ECKA 67/45/51L left

Technical data
Version 2019/08

build-on frame 67/45/51Lh left liftdoor 6sides 50 mm

M 1:10

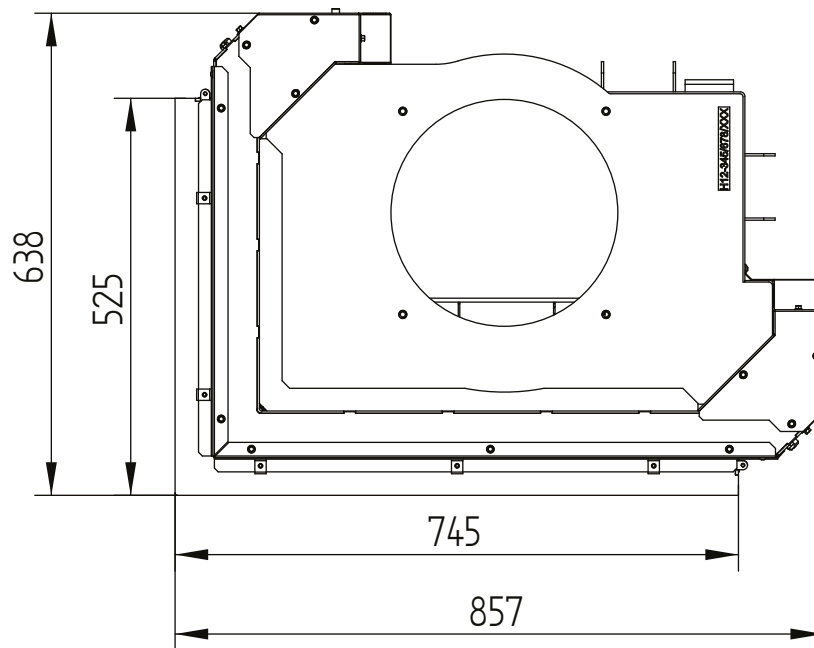


ECKA 67/45/51L left

Technical data
Version 2019/08

build-on frame 67/45/51Lh left liftdoor 6sides 50 mm

M 1:10

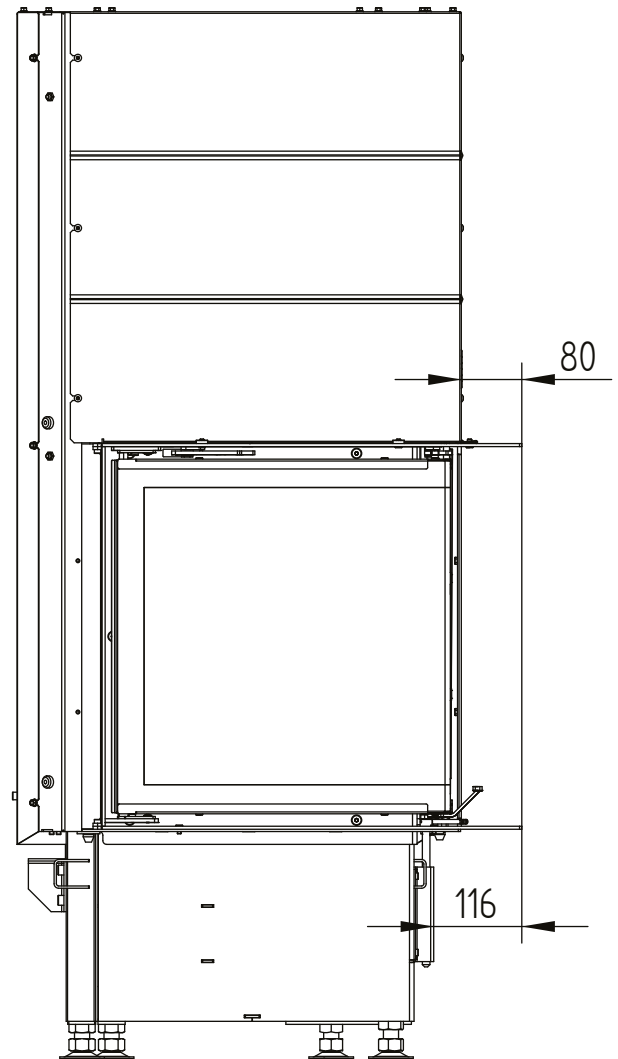
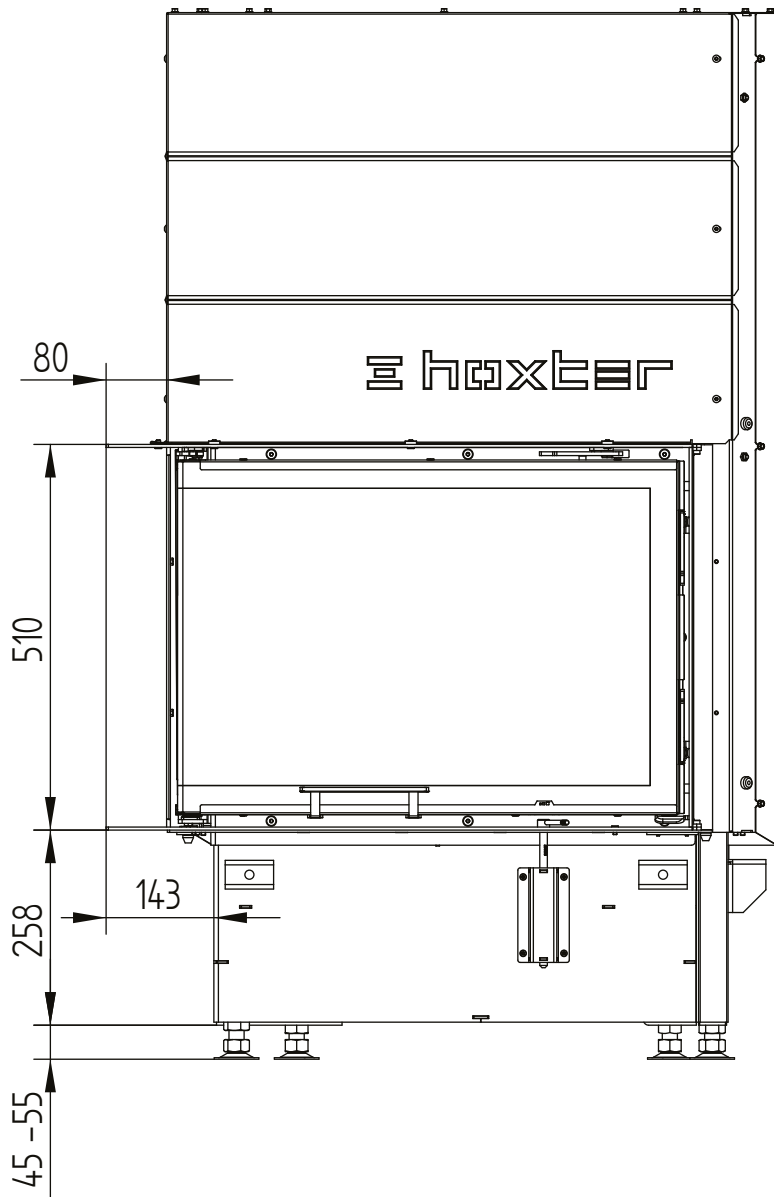


ECKA 67/45/51L left

Technical data
Version 2019/08

build-on frame 67/45/51Lh left liftdoor 6sides 80 mm / feet

M 1:10

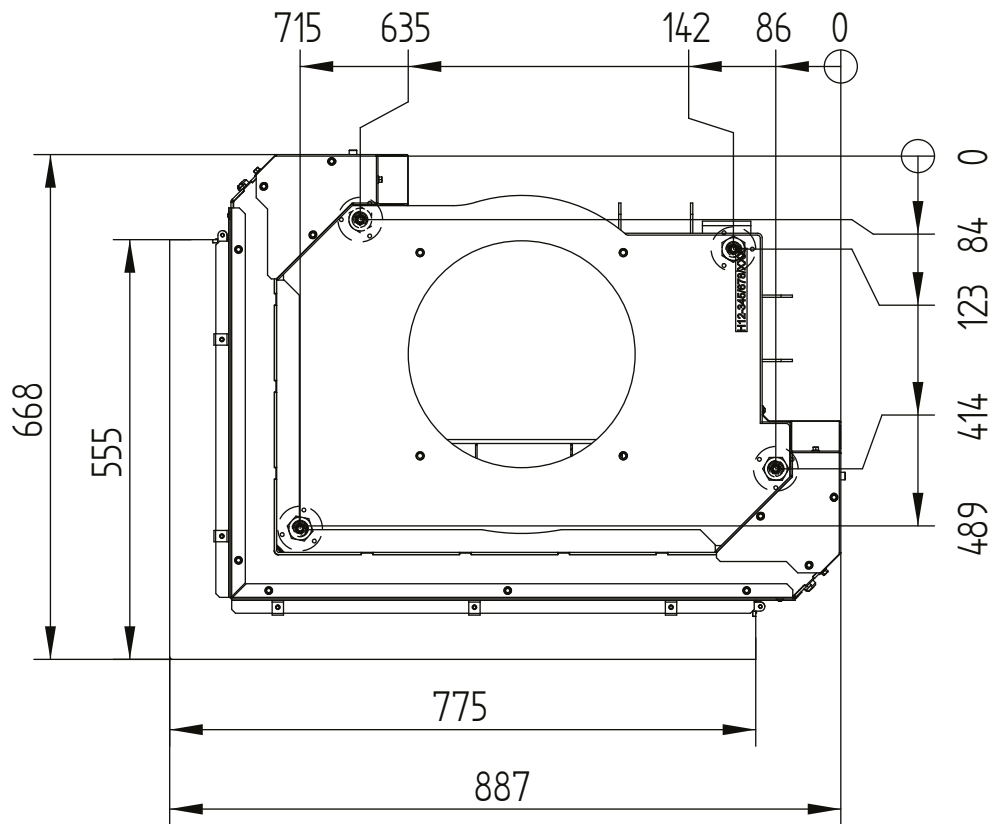


ECKA 67/45/51L left

Technical data
Version 2019/08

build-on frame 67/45/51Lh left liftdoor 6sides 80 mm / feet

M 1:10

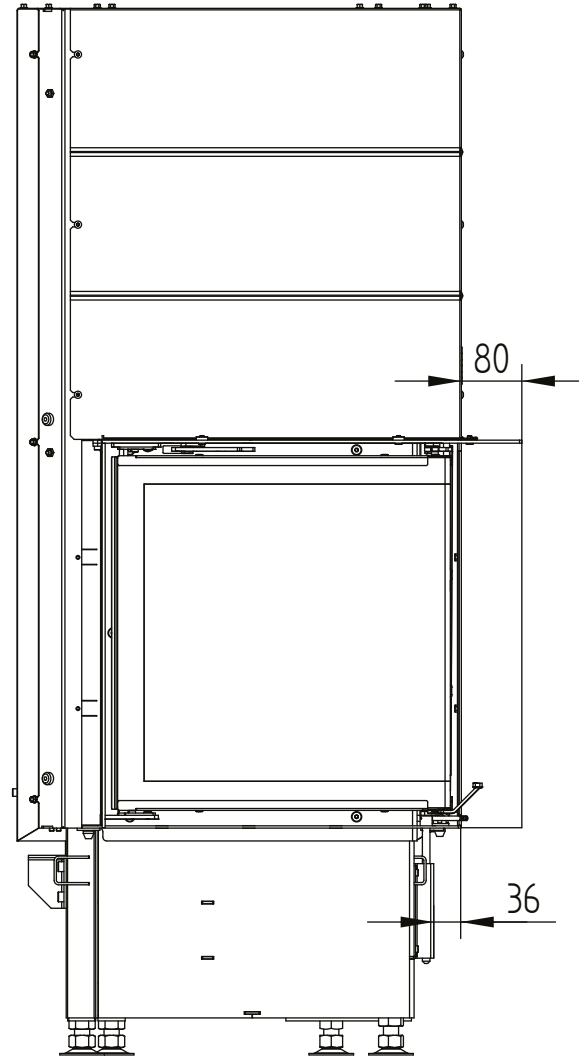
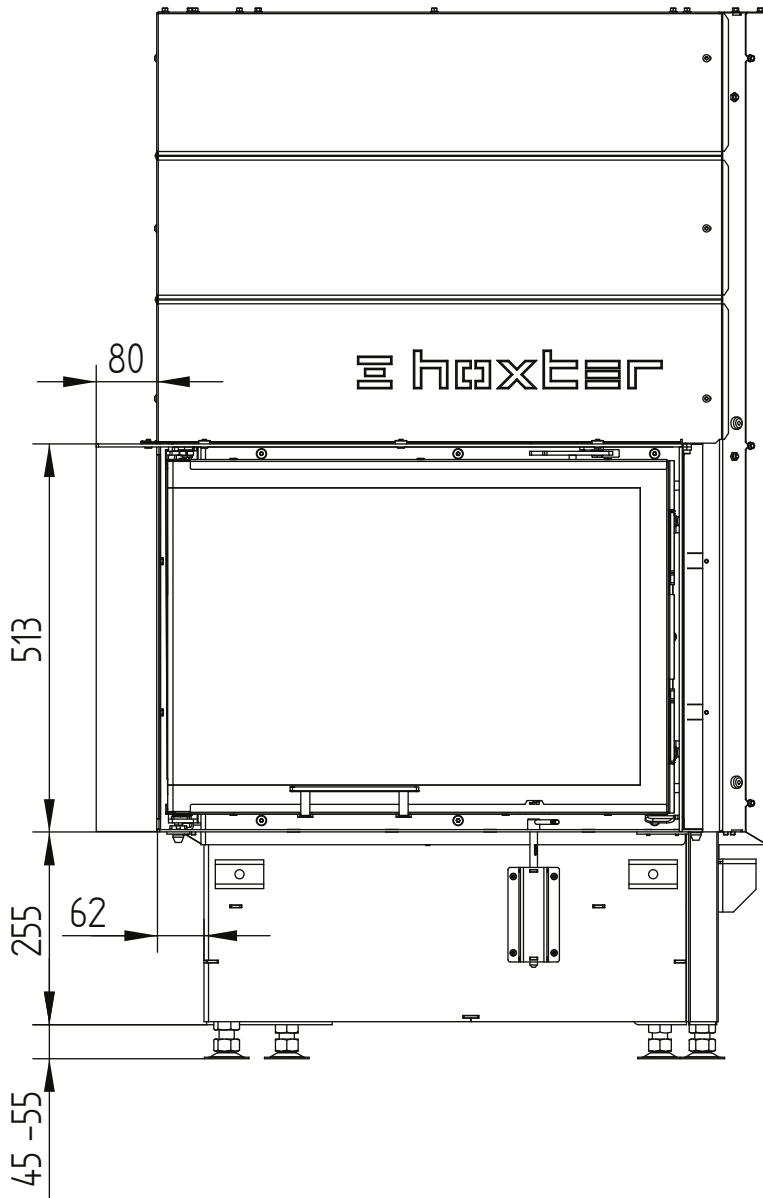


ECKA 67/45/51L left

Technical data
Version 2019/08

build-on frame 67/45/51Lh left liftdoor 4sides 80 mm

M 1:10

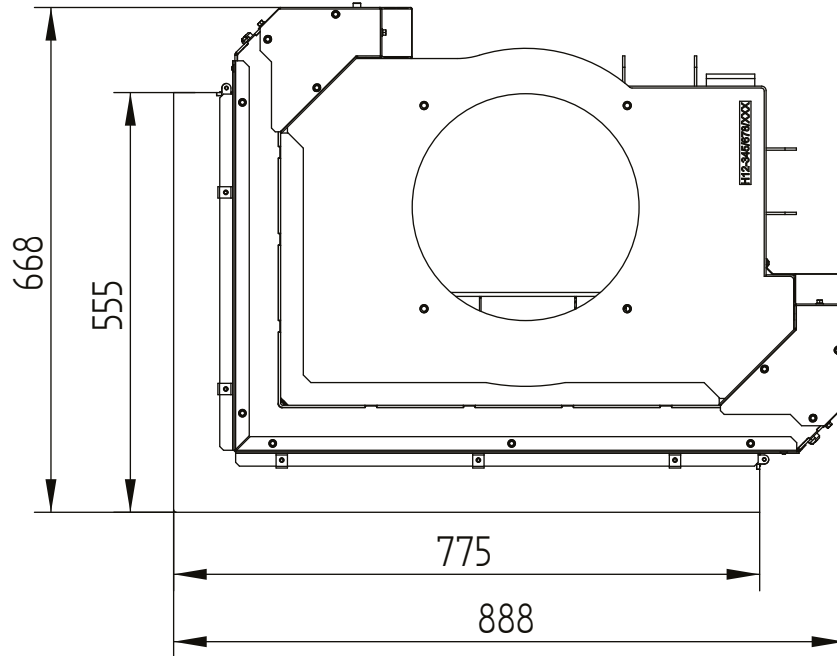


ECKA 67/45/51L left

Technical data
Version 2019/08

build-on frame 67/45/51Lh left liftdoor 4sides 80 mm

M 1:10



	operation when directly connected to chimney		operation when connected accumulation mass	
	cupola	hot air exchanger	cupola	adaptor
Energy label	A	A+	A+	A+
Operating data				
Nominal heat power	8 kW	12 kW	----	----
Efficiency	> 80 %	> 80 %	----	----
Consumption of wood	2,4 kg/h	3,5 kg/h	5,5 kg	5 kg
Total heat output of the burning chamber	----	----	22 kW	18 kW
Mass flow of flue gas	8 g/s	10 g/s	15 g/s	16 g/s
Required chimney pressure	12 Pa	12 Pa	12 Pa	15 Pa
Required amount of combustion air	30 m ³ /h	40 m ³ /h	60 m ³ /h	50 m ³ /h
Average flue gas temperature				
on the output	249 °C	269 °C	356 °C	380 °C
past 3,2 m of ceramic accumulation system KMS 300 ¹	----	----	184 °C	----
past accumulation rings (5x acc. ring Ø440mm)	----	----	----	217 °C
Heat distribution				
fireplace insert	62–74 %	62–74 %	37 %	33 %
door glass (single / double)	38 / 26 %	38 / 26 %	38 / 26 %	38 / 26 %
adjoining accumulation mass	----	----	25–37 %	29–41 %
Information for ventilated builds				
Minimal grill area supply / outgoing	700 / 850 cm ²	1050 / 1250 cm ²	1050 / 1250 cm ²	1050 / 1250 cm ²
Minimum distance from insulated areas / floor	50 / 0 mm		50 / 0 mm	
Reference insulation ² ceiling / back wall / side wall / floor	120 / 80 / 80 / 0 mm		120 / 80 / 80 / 0 mm	
Calciumsilicate insulation ³ ceiling / back wall / side wall / floor	90 / 60 / 60 / 0 mm		90 / 60 / 60 / 0 mm	
Information for non-ventilated builds (closed grills)				
Minimum radiant area ⁴	4,5 m ²		5,5 m ²	
Minimum distance from insulated areas / floor	50 / 20 mm		50 / 20 mm	
Reference insulation ² ceiling / back wall / side wall / floor	160 / 100 / 100 / 20 mm		160 / 100 / 100 / 20 mm	
Calciumsilicate insulation ³ ceiling / back wall / side wall / floor	120 / 75 / 75 / 20 mm		120 / 75 / 75 / 20 mm	
General technical information				
Total weight / lining weight	ca. 320 / 87 kg		ca. 320 / 87 kg	
Burning chamber dimensions (width x depth)	535 x 315 mm			
Combustion air connection	Ø 125 mm			
Use in non-ventilated accumulation builds according to craft rules	suitable			
Tested according to	EN 13229			
Meets values	1. BlmSchV (Stufe2), 15a BVG, NS 3059			

¹ Listed value from testing. For accurate results is evaluation of each system in the Ortnr / KOV program necessary.

² Mineral wool according to AGI-Q 132

³ Example SkamoEnclosure Board 225 kg/m³

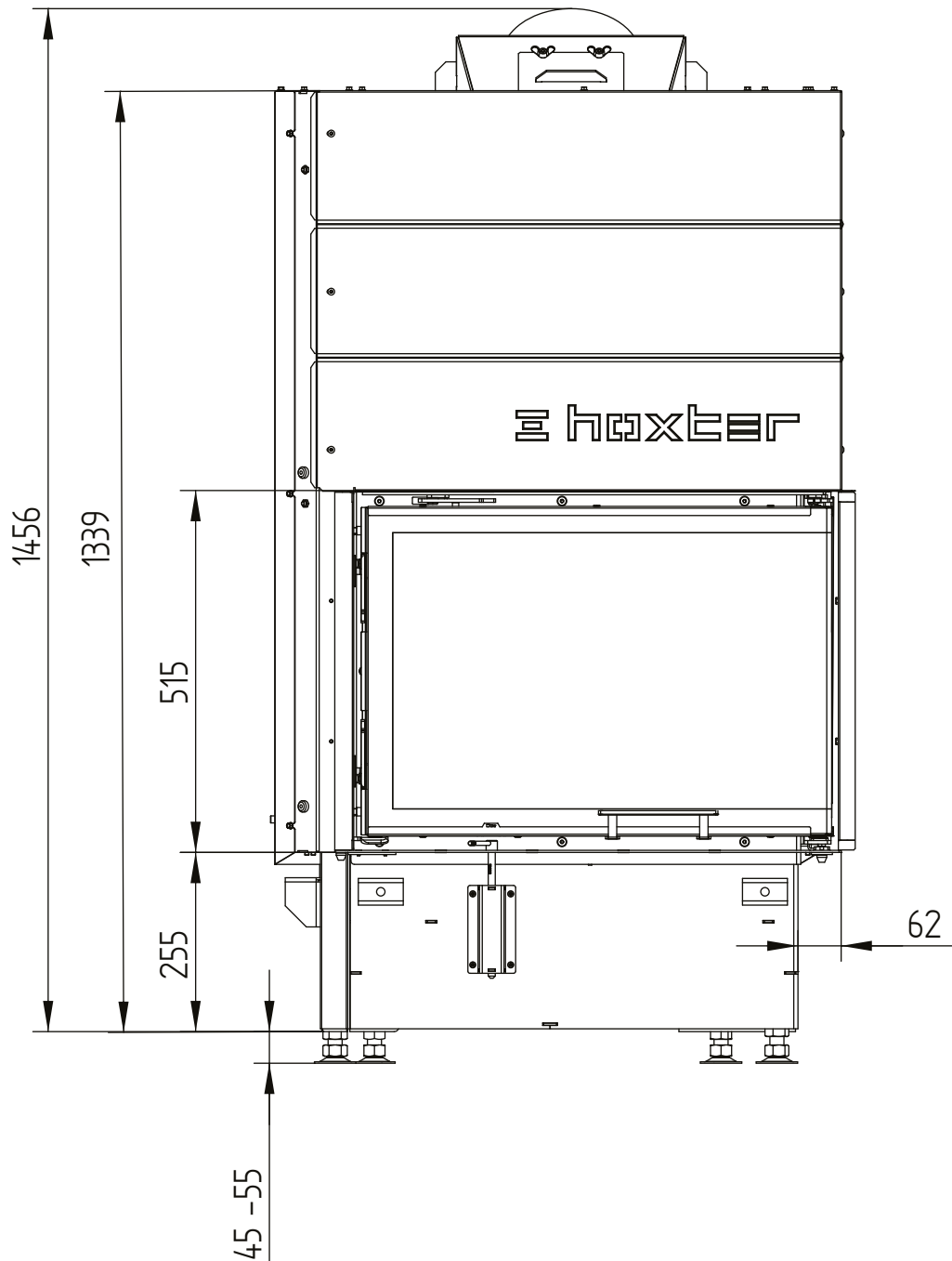
⁴ Depends on accumulation period and material characteristics. Listed values calculated with chamotte stone thickness 30 mm with radiant area 500 W/m²

ECKA 67/45/51R right

Technical data
Version 2019/08

liftdoor hot air exchanger 45°

M 1:10

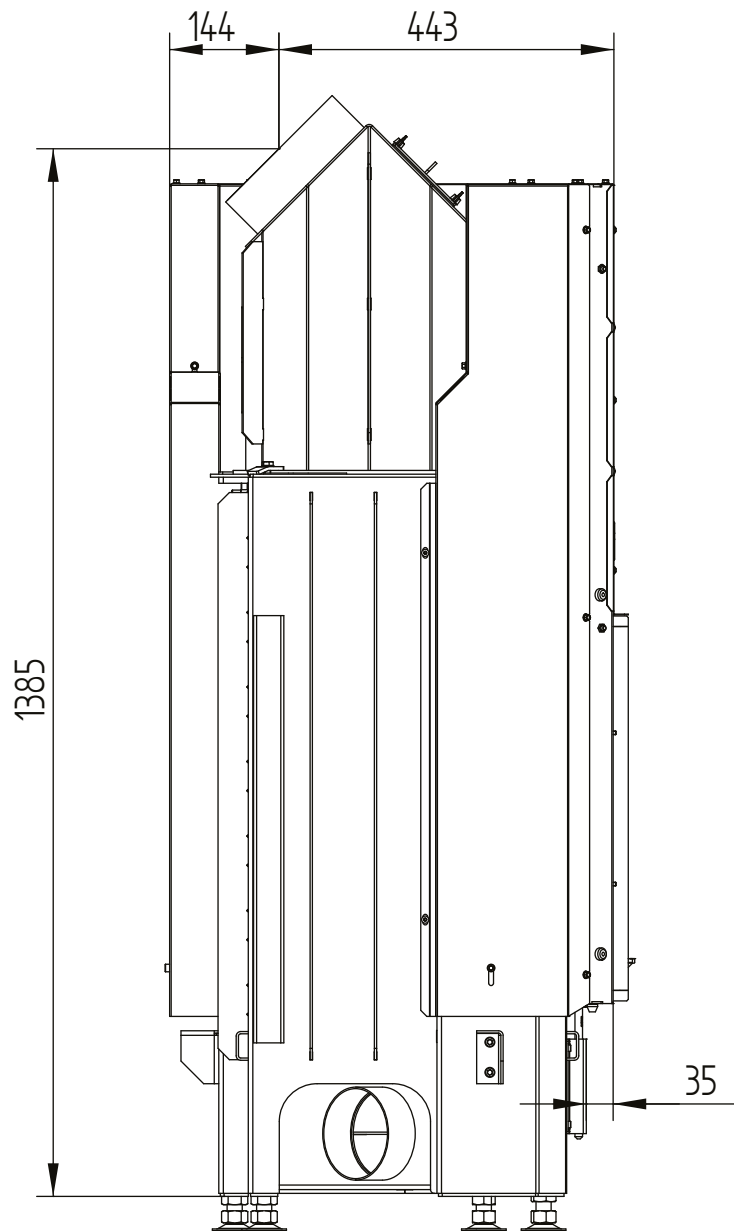


ECKA 67/45/51R right

Technical data
Version 2019/08

liftdoor hot air exchanger 45°

M 1:10

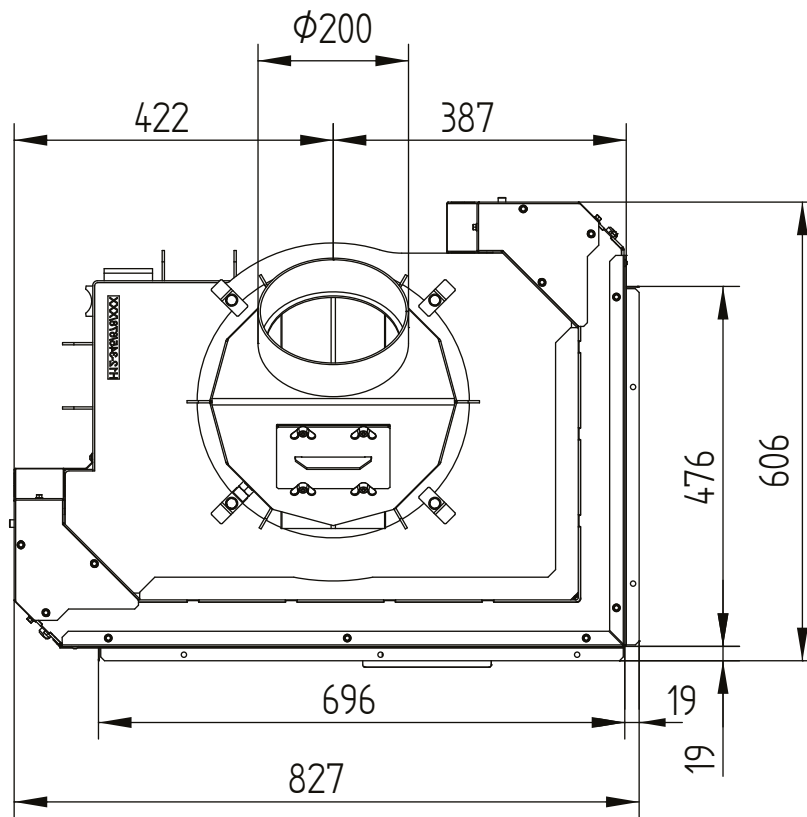


ECKA 67/45/51R right

Technical data
Version 2019/08

liftdoor hot air exchanger 45°

M 1:10

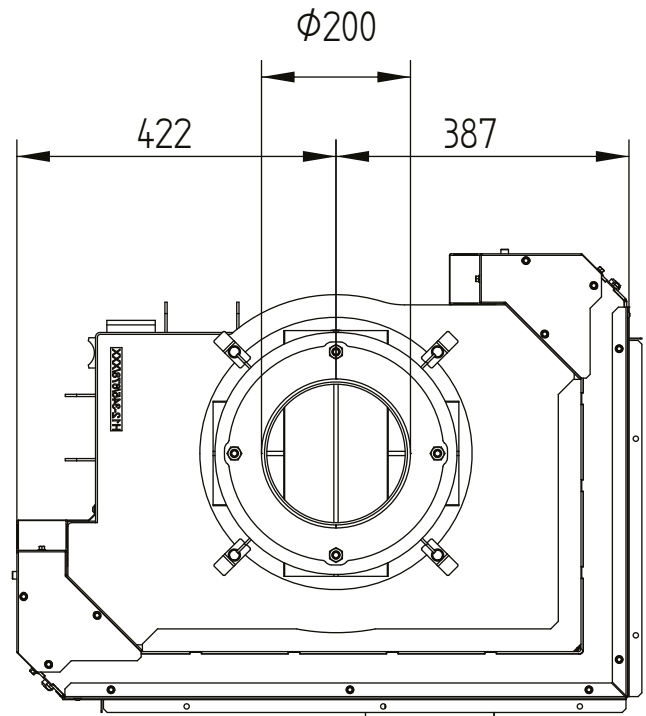
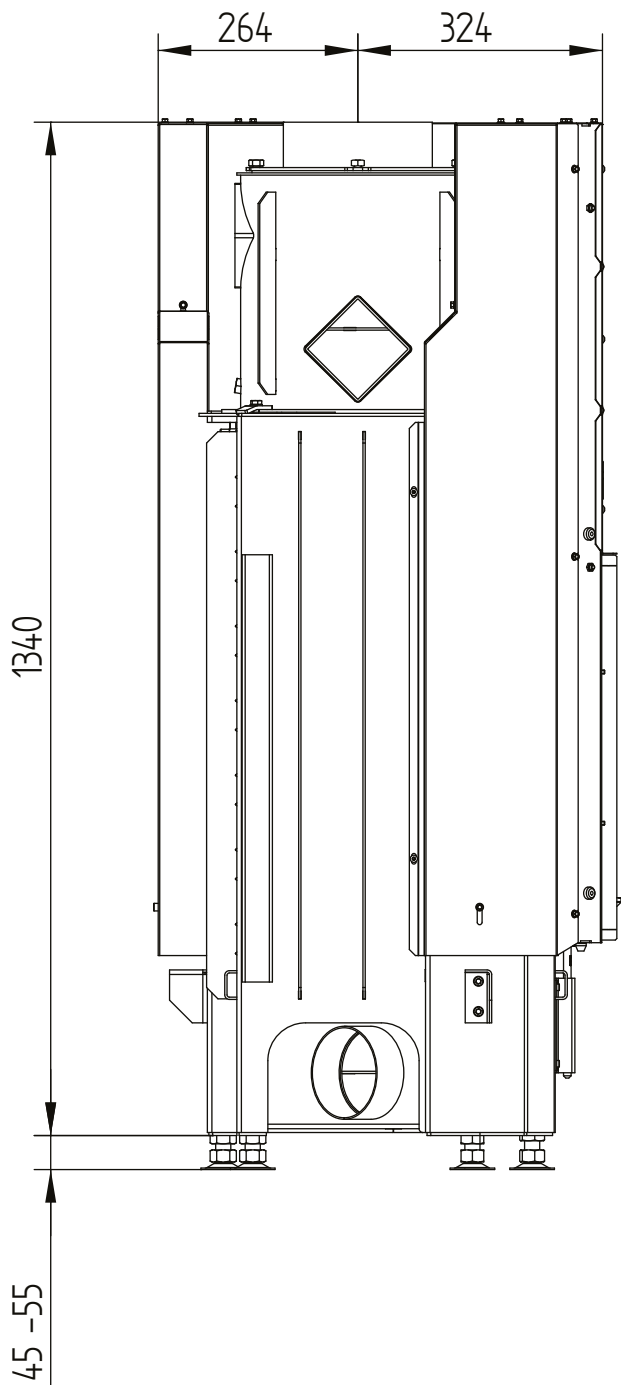


ECKA 67/45/51R right

Technical data
Version 2019/08

liftdoor hot air exchanger vertical

M 1:10

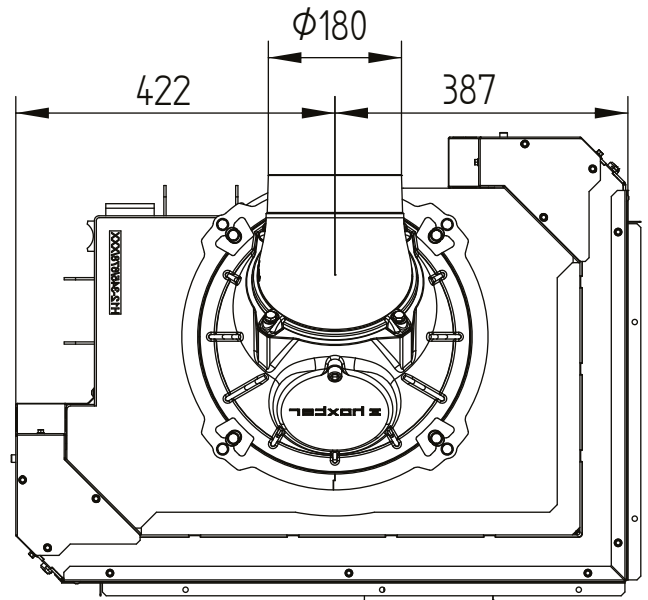
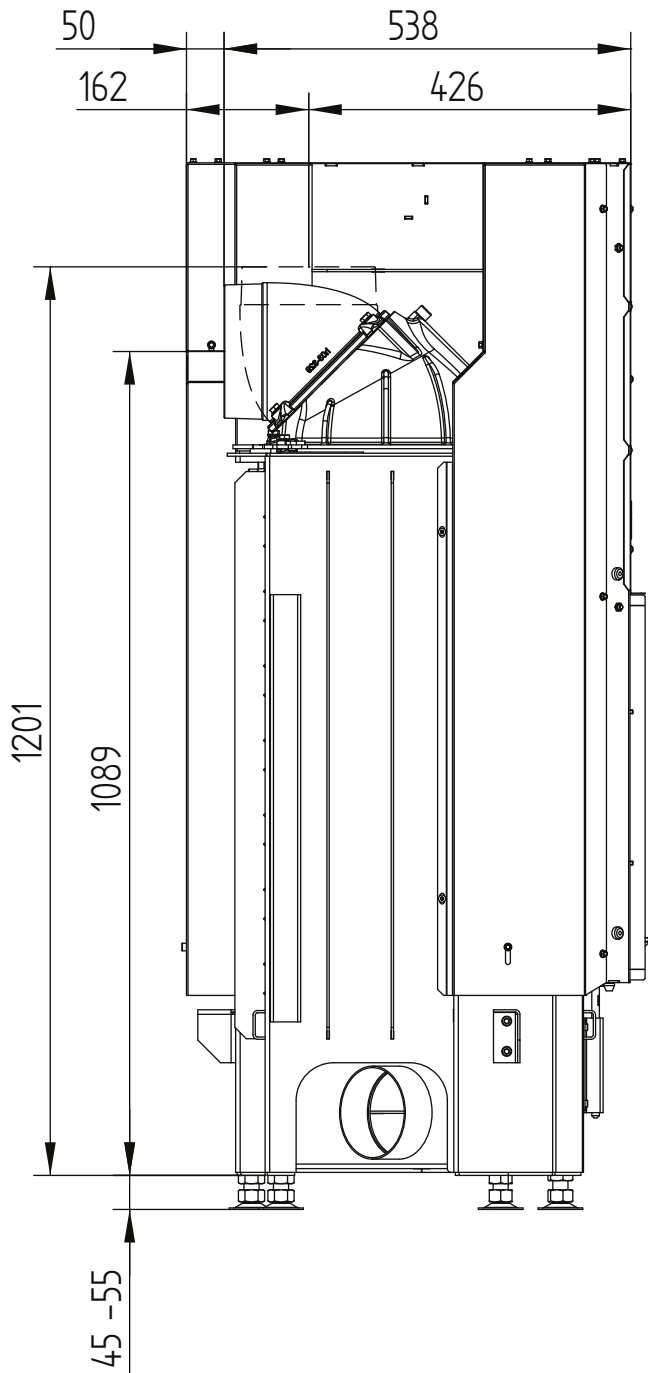


ECKA 67/45/51R right

Technical data
Version 2019/08

liftdoor cupola

M 1:10

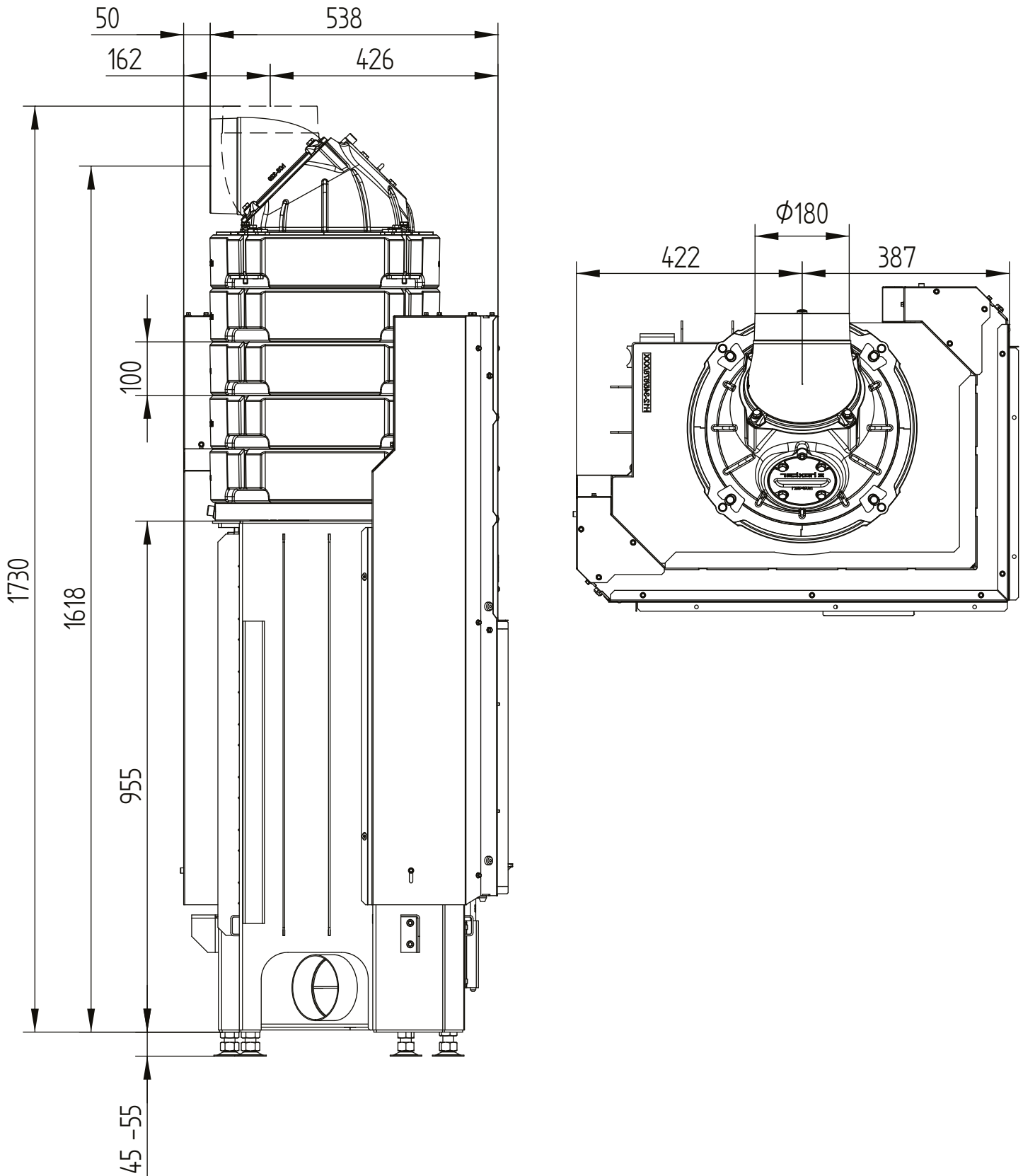


ECKA 67/45/51R right

Technical data
Version 2019/08

liftdoor accumulation rings

M 1:10

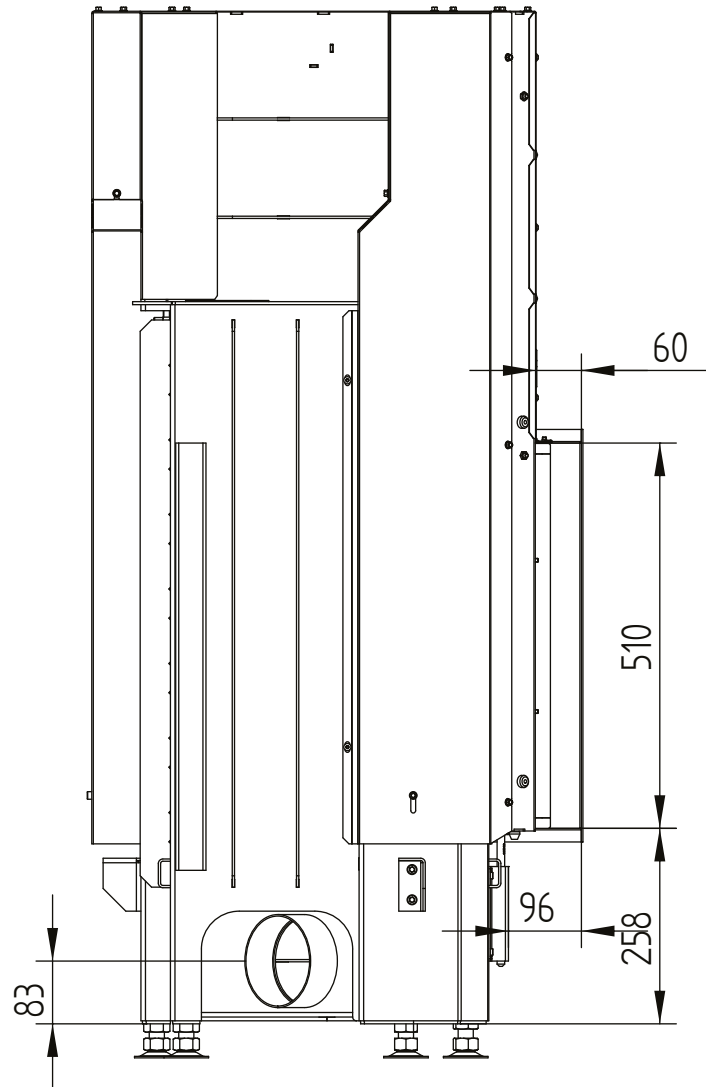
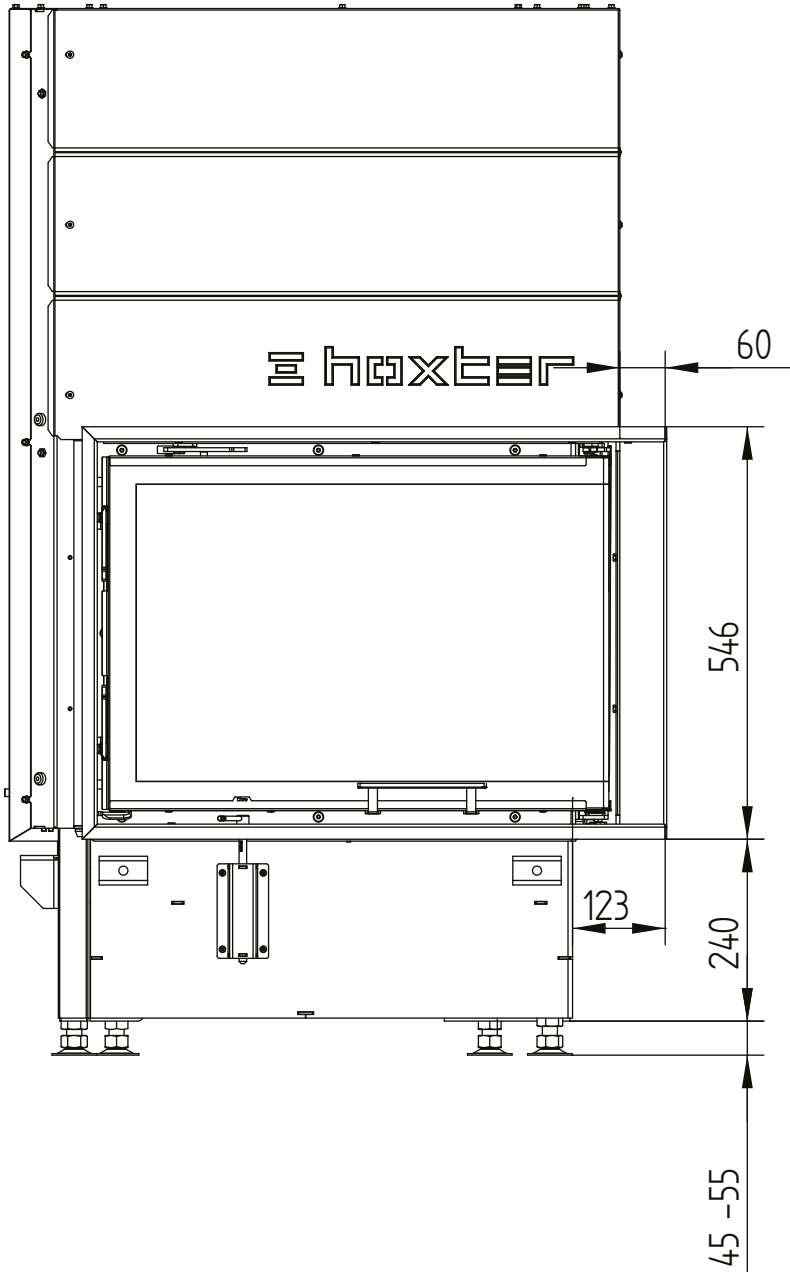


ECKA 67/45/51R right

Technical data
Version 2019/08

cover frame 67/45/51Rh right liftdoor 6sides 1 x 90° 60 mm / air connection

M 1:10

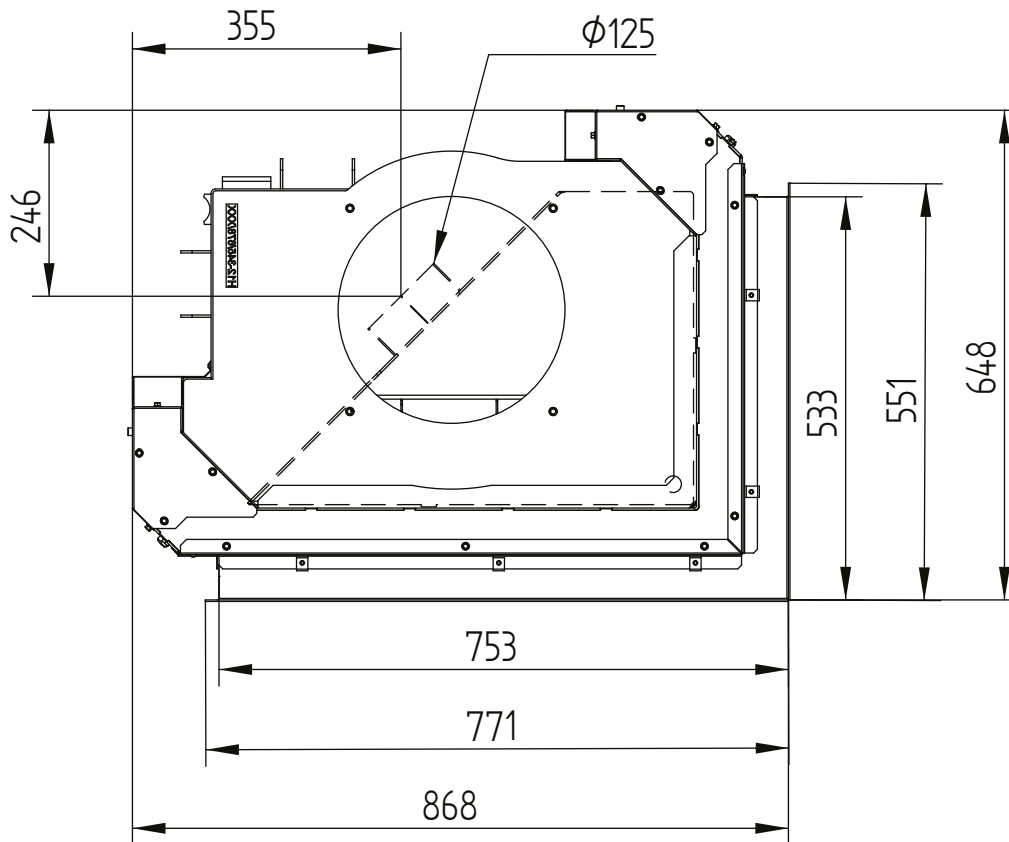


ECKA 67/45/51R right

Technical data
Version 2019/08

cover frame 67/45/51Rh right liftdoor 6sides 1 x 90° 60 mm / air connection

M 1:10

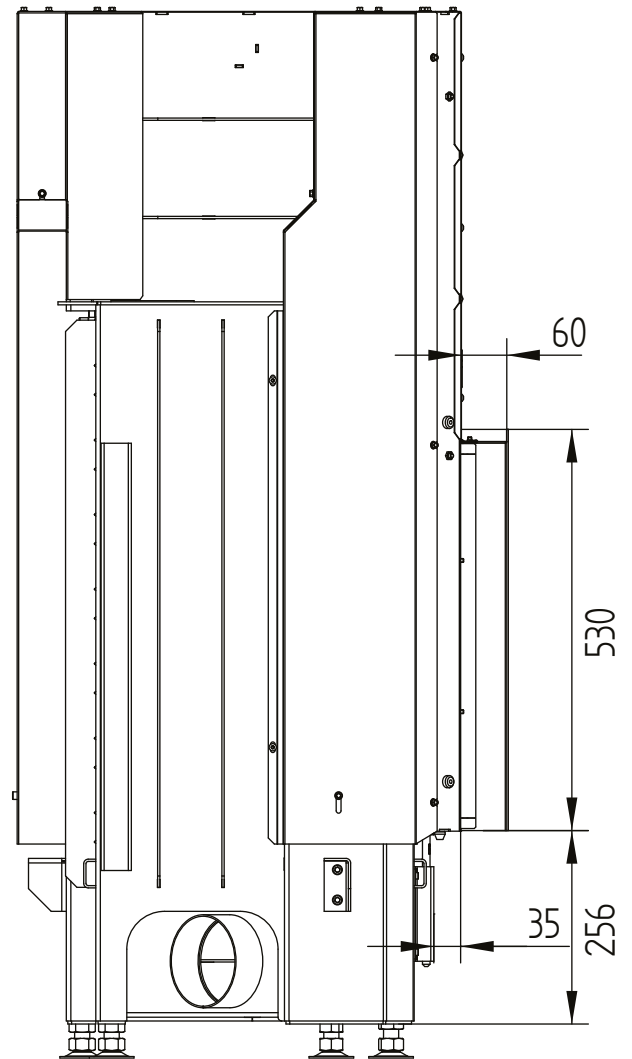
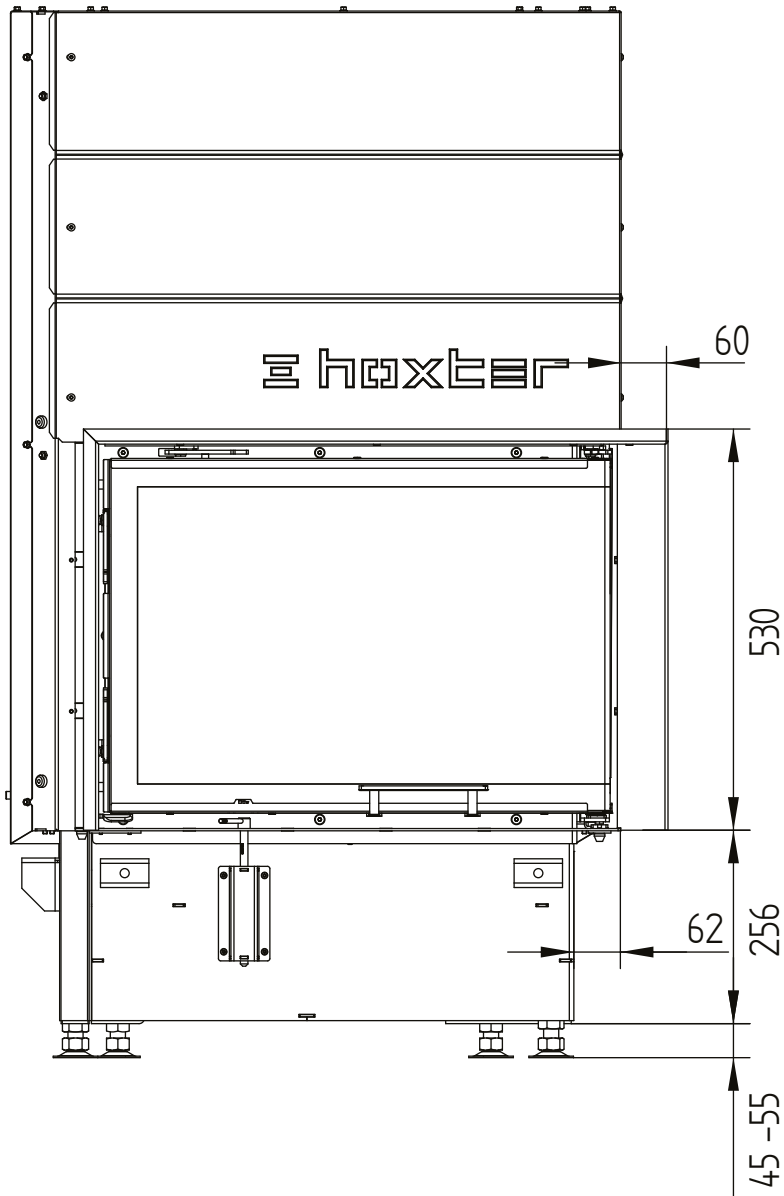


ECKA 67/45/51R right

Technical data
Version 2019/08

cover frame 67/45/51Rh right liftdoor 4sides 1 x 90° 60 mm

M 1:10

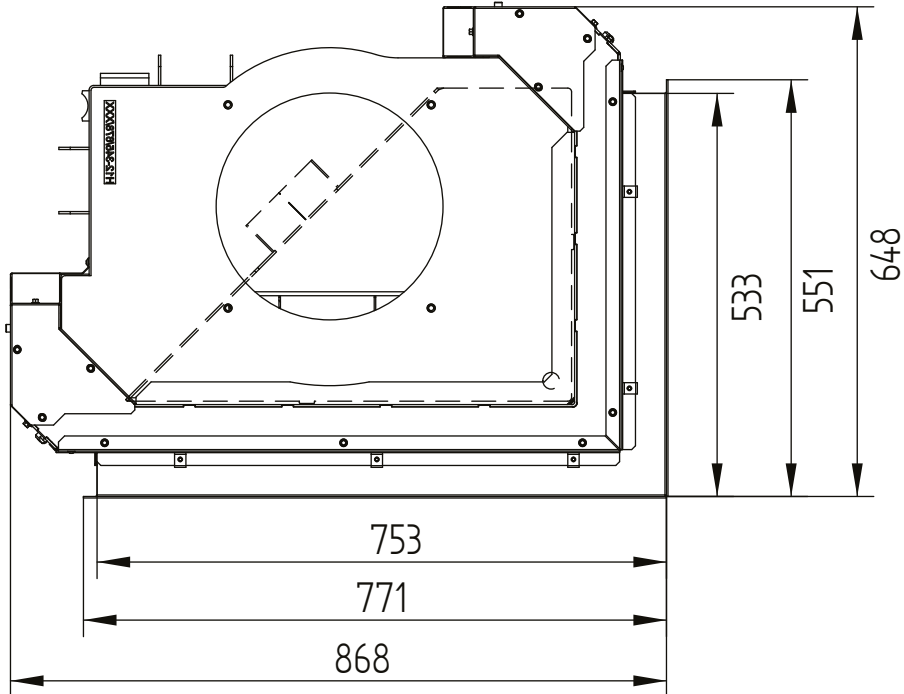


ECKA 67/45/51R right

Technical data
Version 2019/08

cover frame 67/45/51Rh right liftdoor 4sides 1 x 90° 60 mm

M 1:10

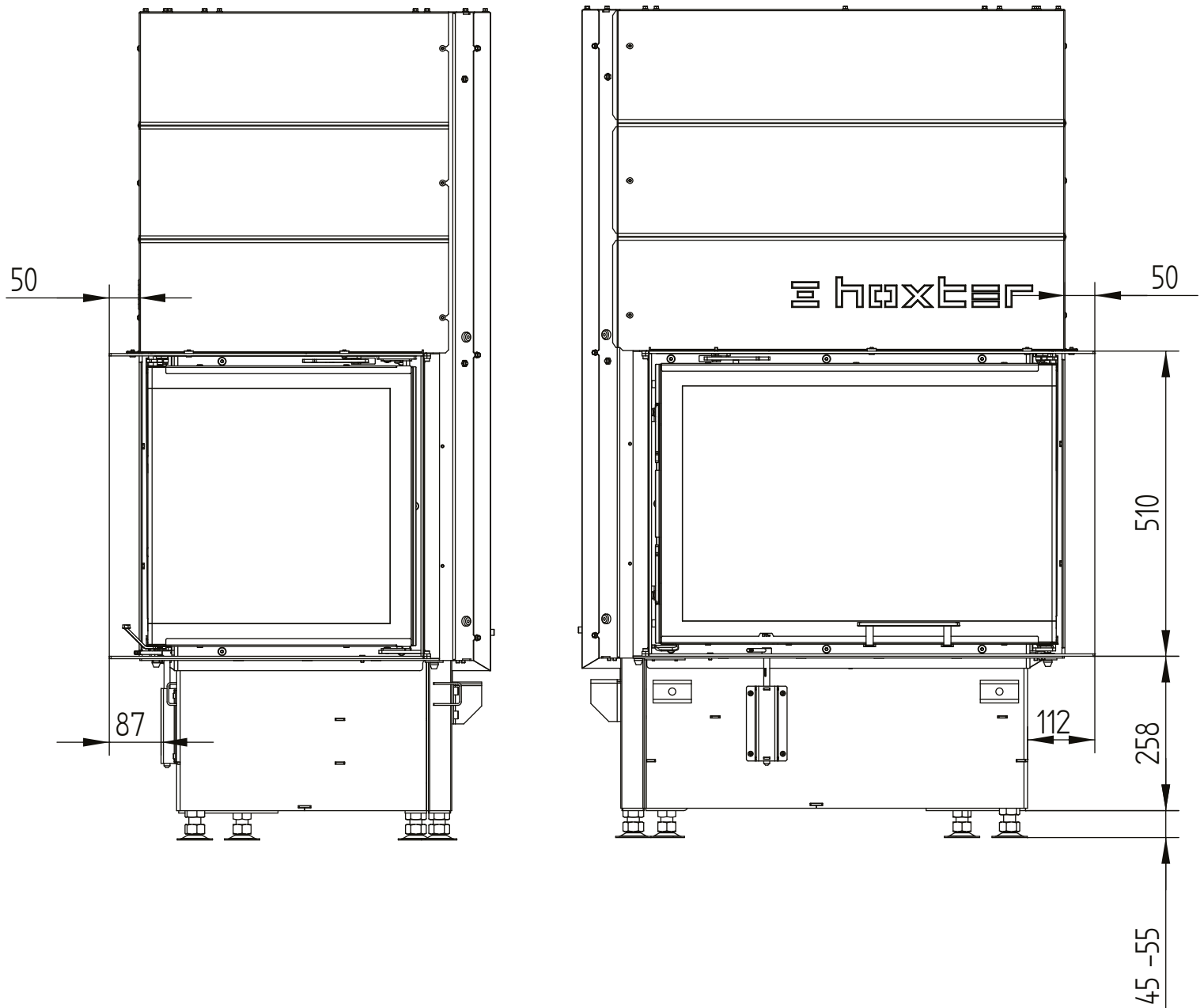


ECKA 67/45/51R right

Technical data
Version 2019/08

build-on frame 67/45/51Rh right liftdoor 6sides 50 mm

M 1:10

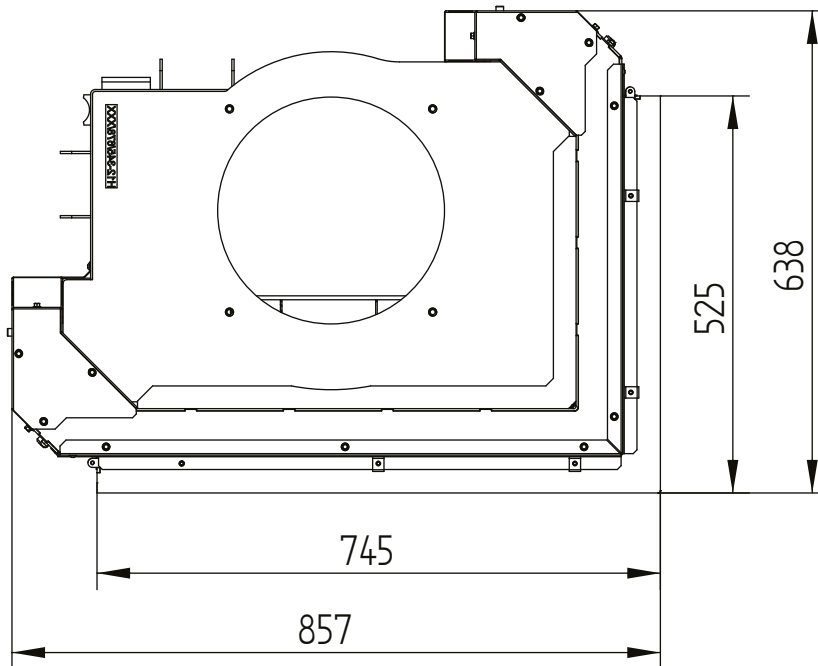


ECKA 67/45/51R right

Technical data
Version 2019/08

build-on frame 67/45/51Rh right liftdoor 6sides 50 mm

M 1:10

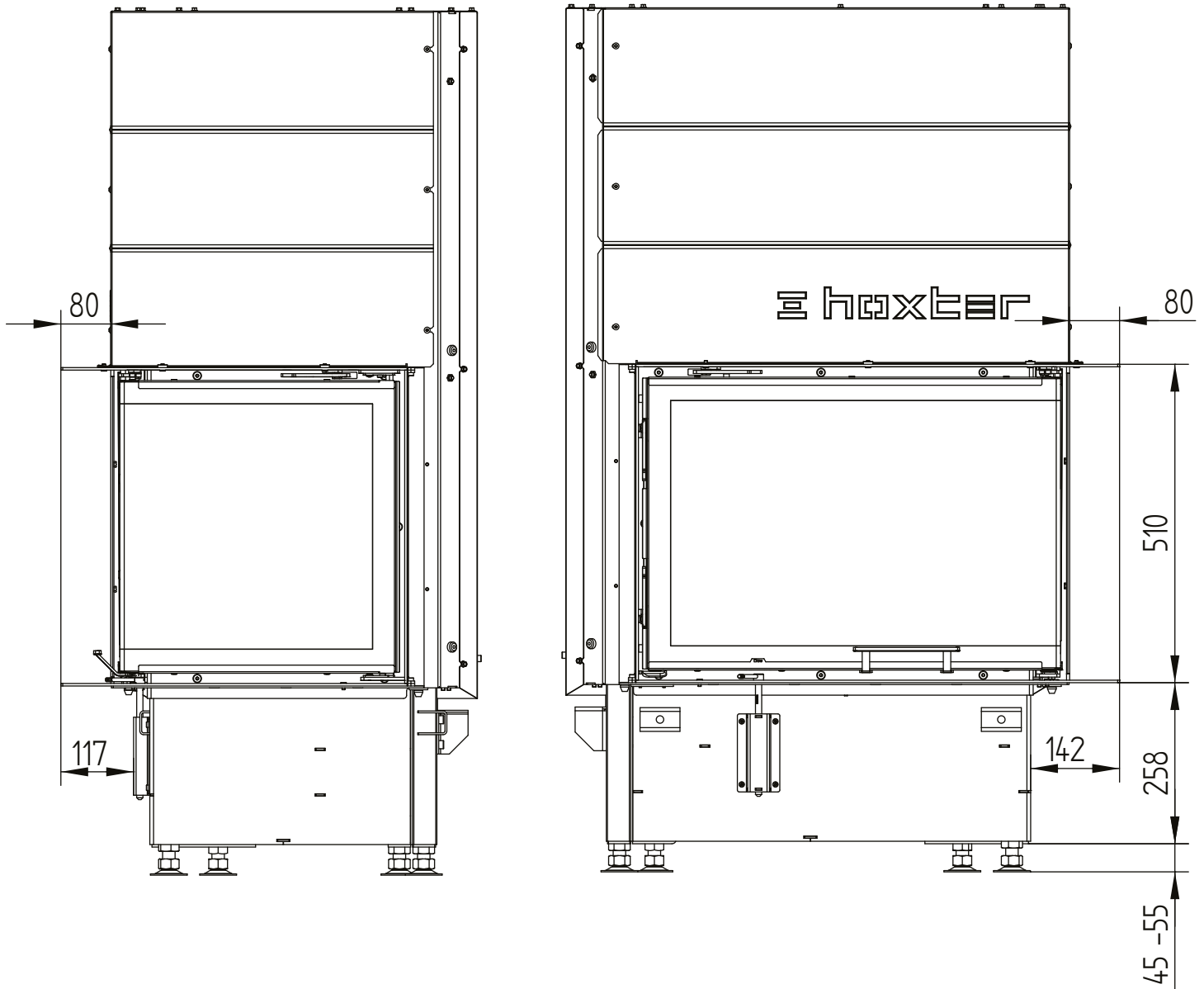


ECKA 67/45/51R right

Technical data
Version 2019/08

build-on frame 67/45/51Rh right liftdoor 6sides 80 mm / feet

M 1:10

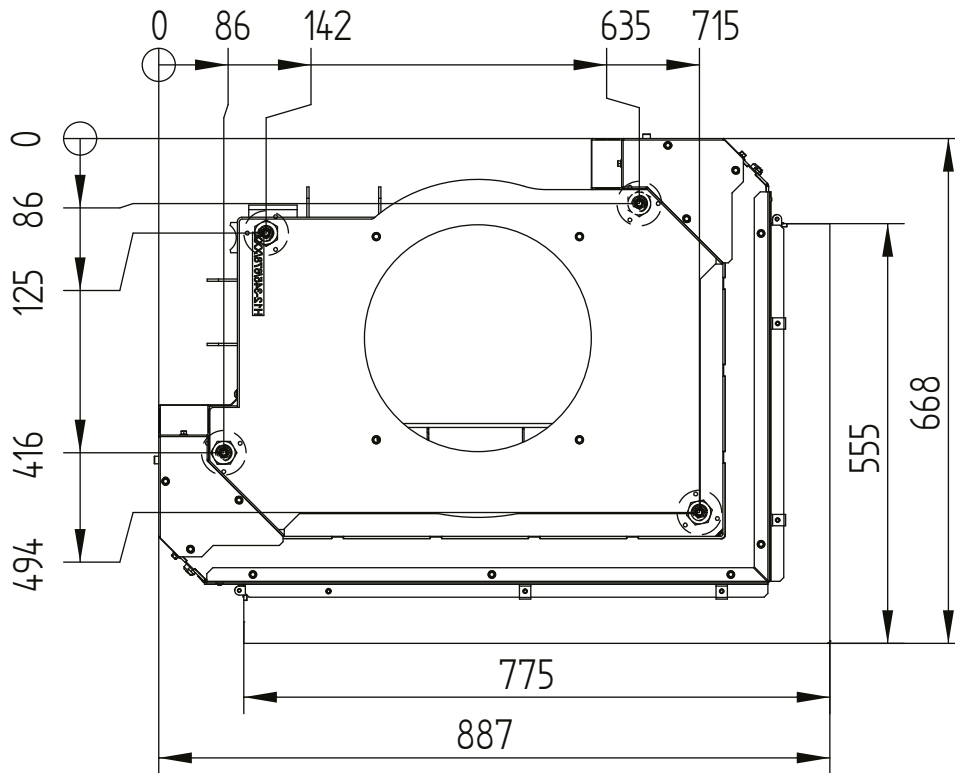


ECKA 67/45/51R right

Technical data
Version 2019/08

build-on frame 67/45/51Rh right liftdoor 6sides 80 mm / feet

M 1:10

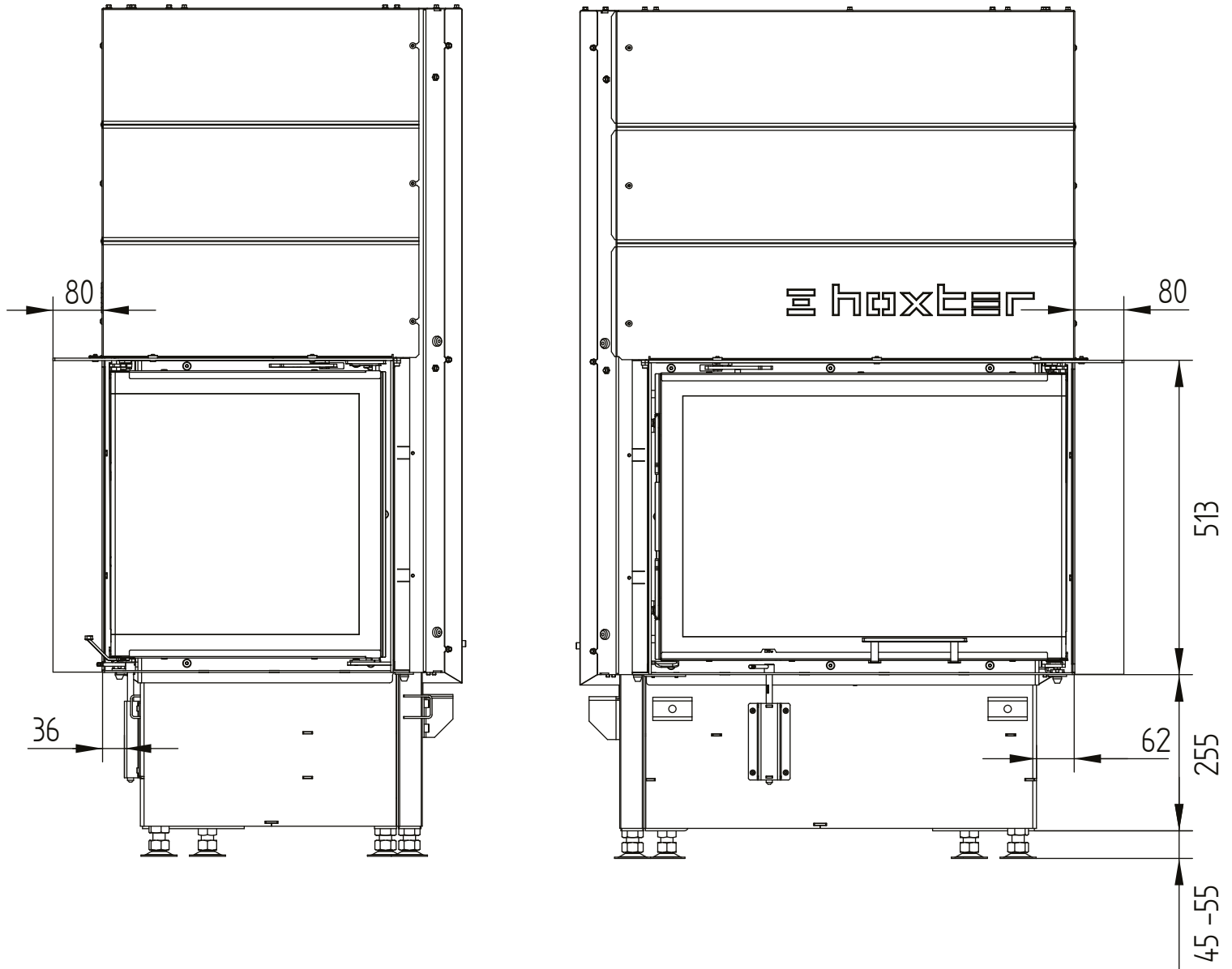


ECKA 67/45/51R right

Technical data
Version 2019/08

build-on frame 67/45/51Rh right liftdoor 4sides 80 mm

M 1:10



ECKA 67/45/51R right

Technical data
Version 2019/08

build-on frame 67/45/51Rh right liftdoor 4sides 80 mm

M 1:10

