

	operation when directly connected to chimney		operation when connected accumulation mass	
	cupola	hot air exchanger	cupola	adaptor
Energy label	A+	A+	A+	A+
Operating data				
Nominal heat power	7 kW	11 kW	----	----
Efficiency	> 80 %	> 80 %	----	----
Consumption of wood	2,1 kg/h	3,2 kg/h	6 kg	4,8 kg
Total heat output of the burning chamber	----	----	24 kW	17 kW
Mass flow of flue gas	6,5 g/s	8,6 g/s	20 g/s	13 g/s
Required chimney pressure	12 Pa	12 Pa	12 Pa	15 Pa
Required amount of combustion air	25 m ³ /h	30 m ³ /h	60 m ³ /h	60 m ³ /h
Average flue gas temperature				
on the output	214 °C	217 °C	445 °C	385 °C
past 4 m of ceramic accumulation system KMS 300 ¹	----	----	220 °C	----
past accumulation rings (5x acc. ring Ø440mm)	----	----	----	216 °C
Heat distribution				
fireplace insert	70-82 %	70-82 %	40 %	35 %
door glass (single / double)	30 / 18 %	30 / 18 %	30 / 18 %	30 / 18 %
adjoining accumulation mass	----	----	30-42 %	35-47 %
Information for ventilated builds				
Minimal grill area supply / outgoing	700 / 850 cm ²	950 / 1150 cm ²	950 / 1150 cm ²	950 / 1150 cm ²
Minimum distance from insulated areas / floor	80 / 0 mm		80 / 0 mm	
Reference insulation ² ceiling / back wall / side wall / floor	120 / 80 / 80 / 0 mm		120 / 80 / 80 / 0 mm	
Calciumsilicate insulation ³ ceiling / back wall / side wall / floor	90 / 60 / 60 / 0 mm		90 / 60 / 60 / 0 mm	
Information for non-ventilated builds (closed grills)				
Minimum radiant area ⁴	3,5 m ²		5 m ²	
Minimum distance from insulated areas / floor	80 / 20 mm		80 / 20 mm	
Reference insulation ² ceiling / back wall / side wall / floor	160 / 100 / 100 / 20 mm		160 / 100 / 100 / 20 mm	
Calciumsilicate insulation ³ ceiling / back wall / side wall / floor	120 / 75 / 75 / 20 mm		120 / 75 / 75 / 20 mm	
General technical information				
Total weight / lining weight	ca. 210 / 82 kg		ca. 210 / 82 kg	
Burning chamber dimensions (width x depth)	605 x 305 mm			
Combustion air connection	Ø 150 mm			
Use in non-ventilated accumulation builds according to craft rules	suitable			
Tested according to	EN 13229			
Meets values	1. BlmSchV (Stufe2), 15a BVG			

¹ Listed value from testing. For accurate results is evaluation of each system in the Ortner / KOV program necessary.

² Mineral wool according to AGI-Q 132

³ Example SkamoEnclousure Board 225 kg/m³

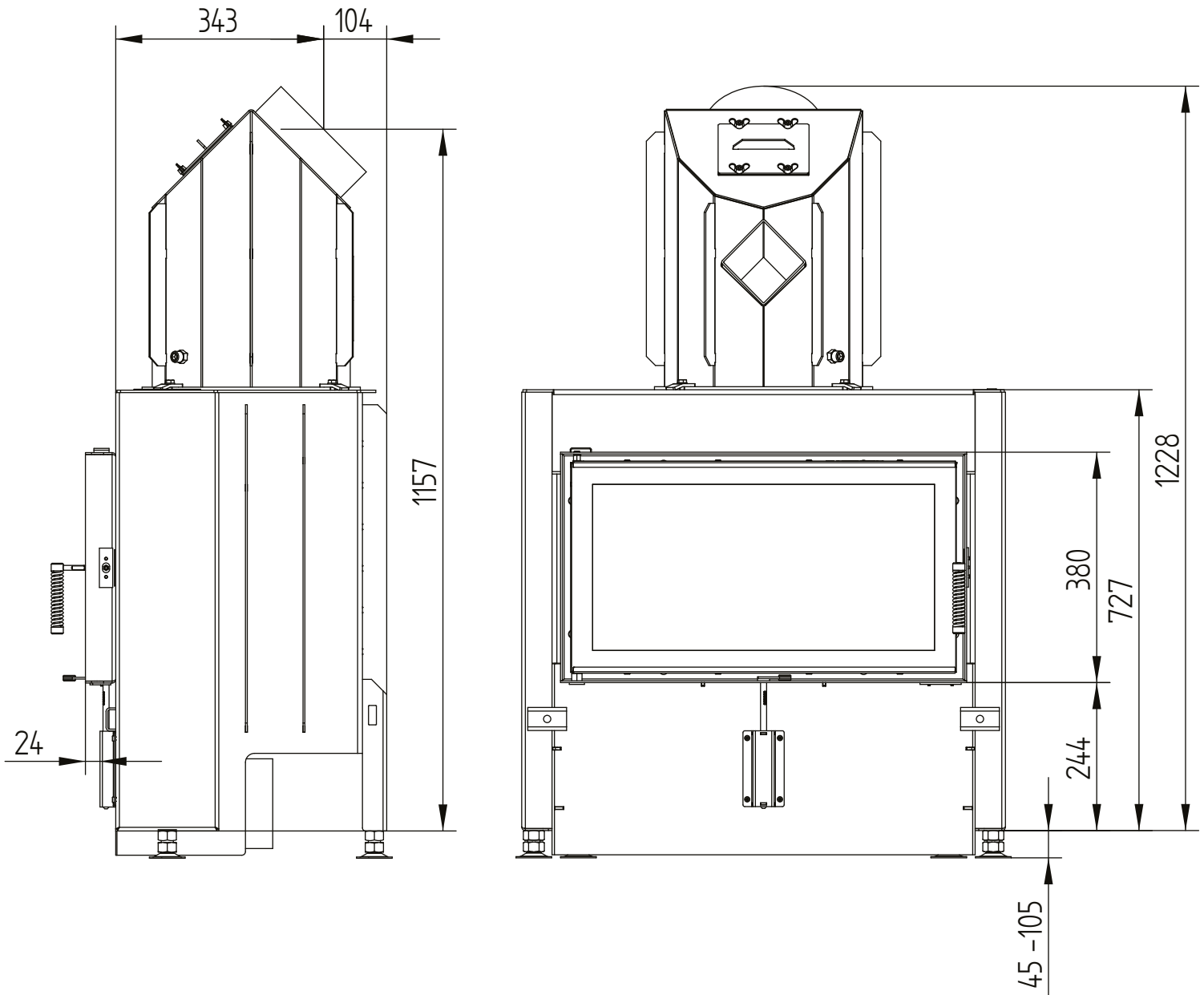
⁴ Depends on accumulation period and material characteristics. Listed values calculated with chamotte stone thickness 30 mm with radiant area 500 W/m²

HAKA 67/38

Technical data
Version 2019/08

hot air exchanger 45°

M 1:10

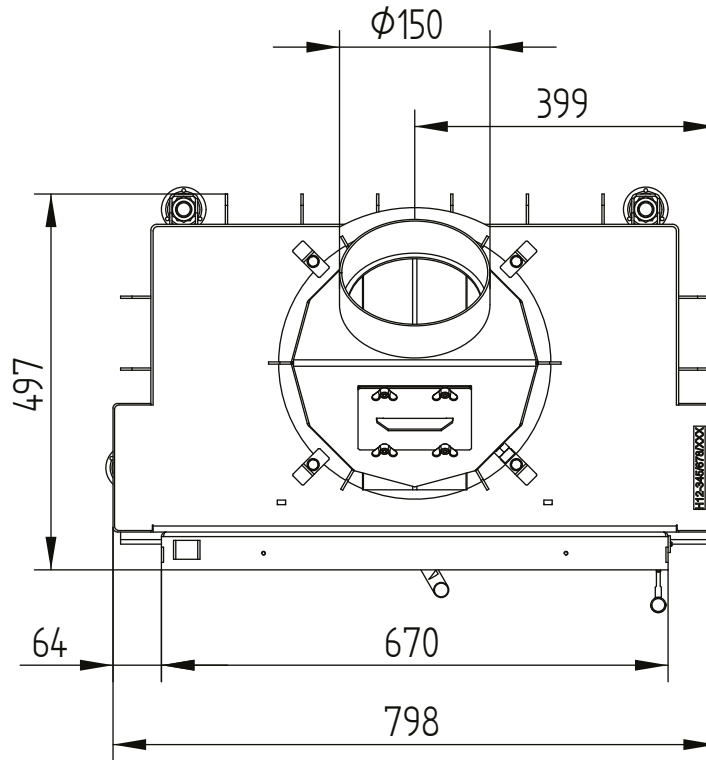


HAKA 67/38

Technical data
Version 2019/08

hot air exchanger 45°

M 1:10

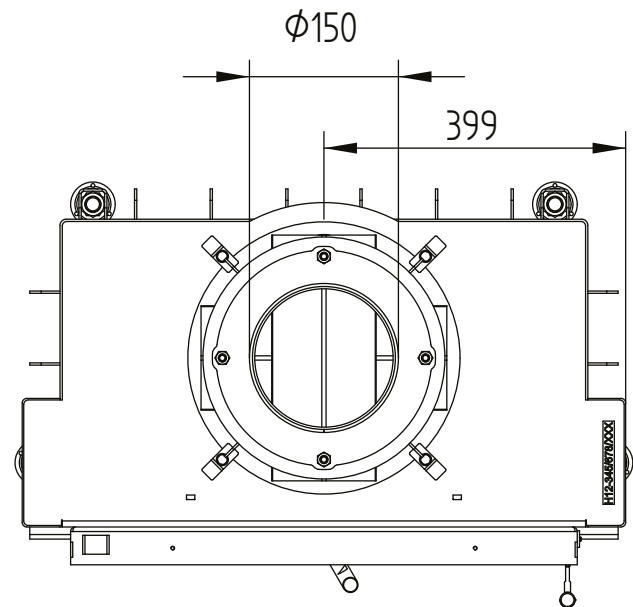
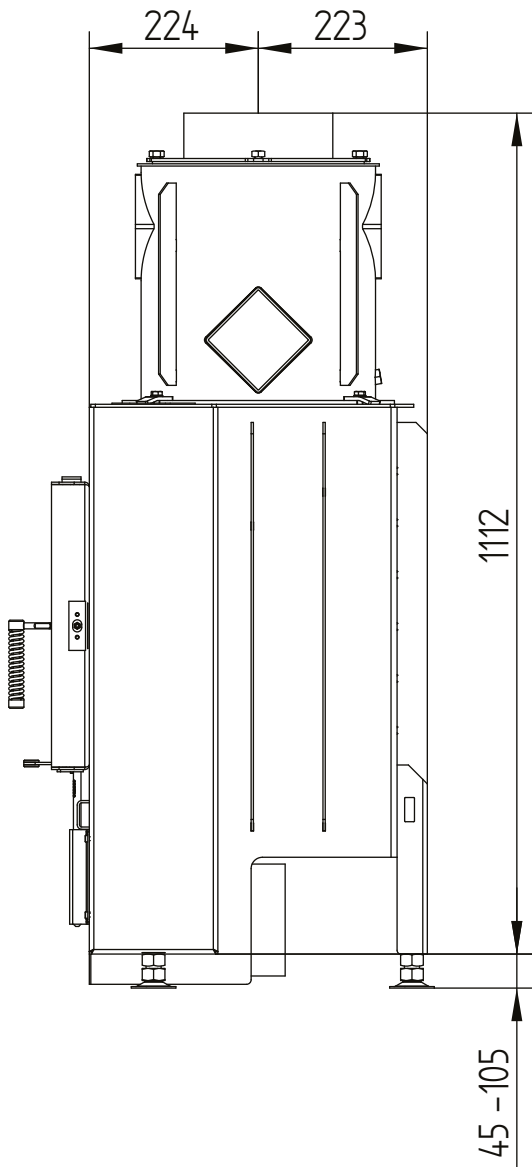


HAKA 67/38

Technical data
Version 2019/08

hot air exchanger vertical

M 1:10

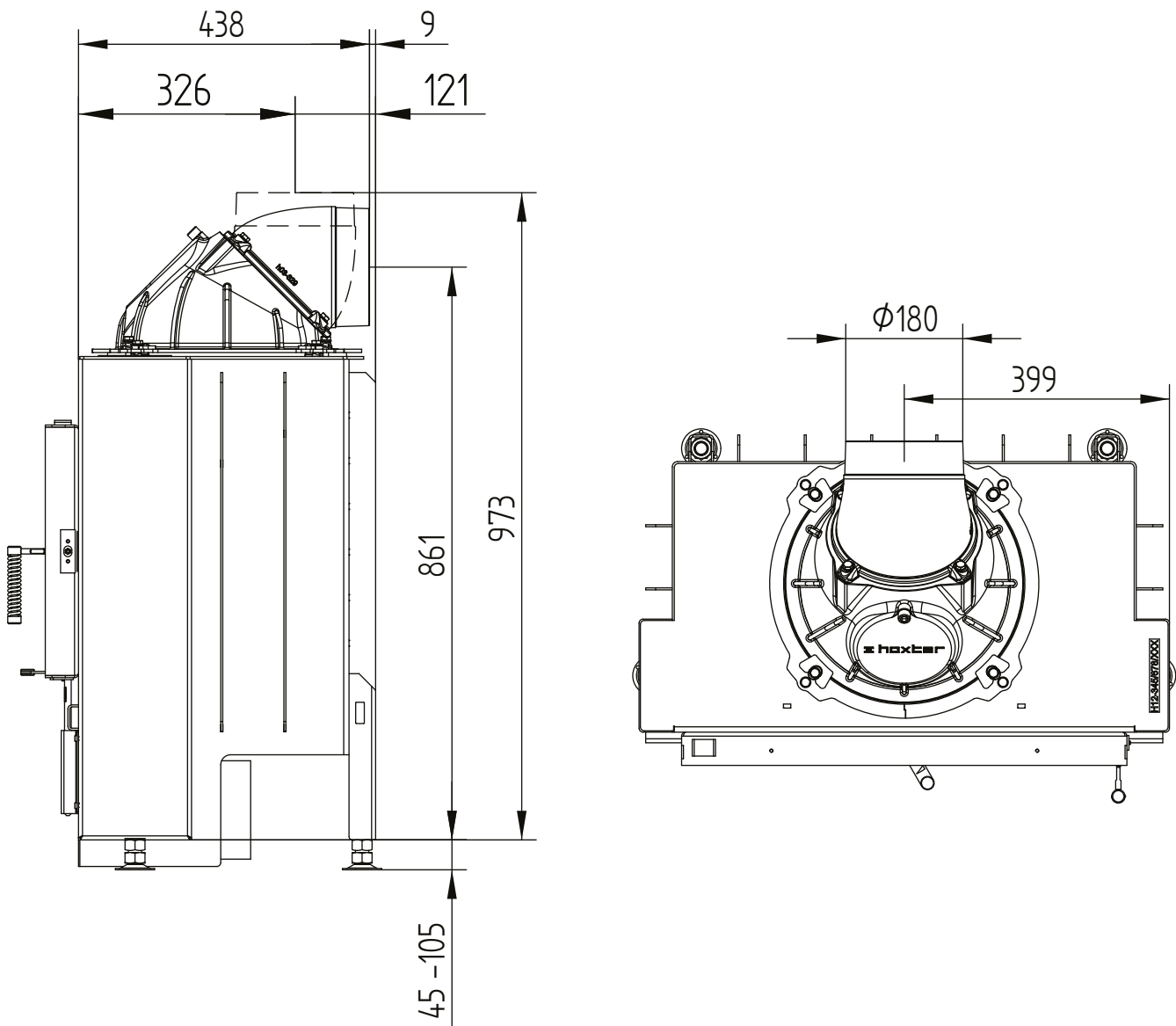


HAKA 67/38

Technical data
Version 2019/08

cupola

M 1:10

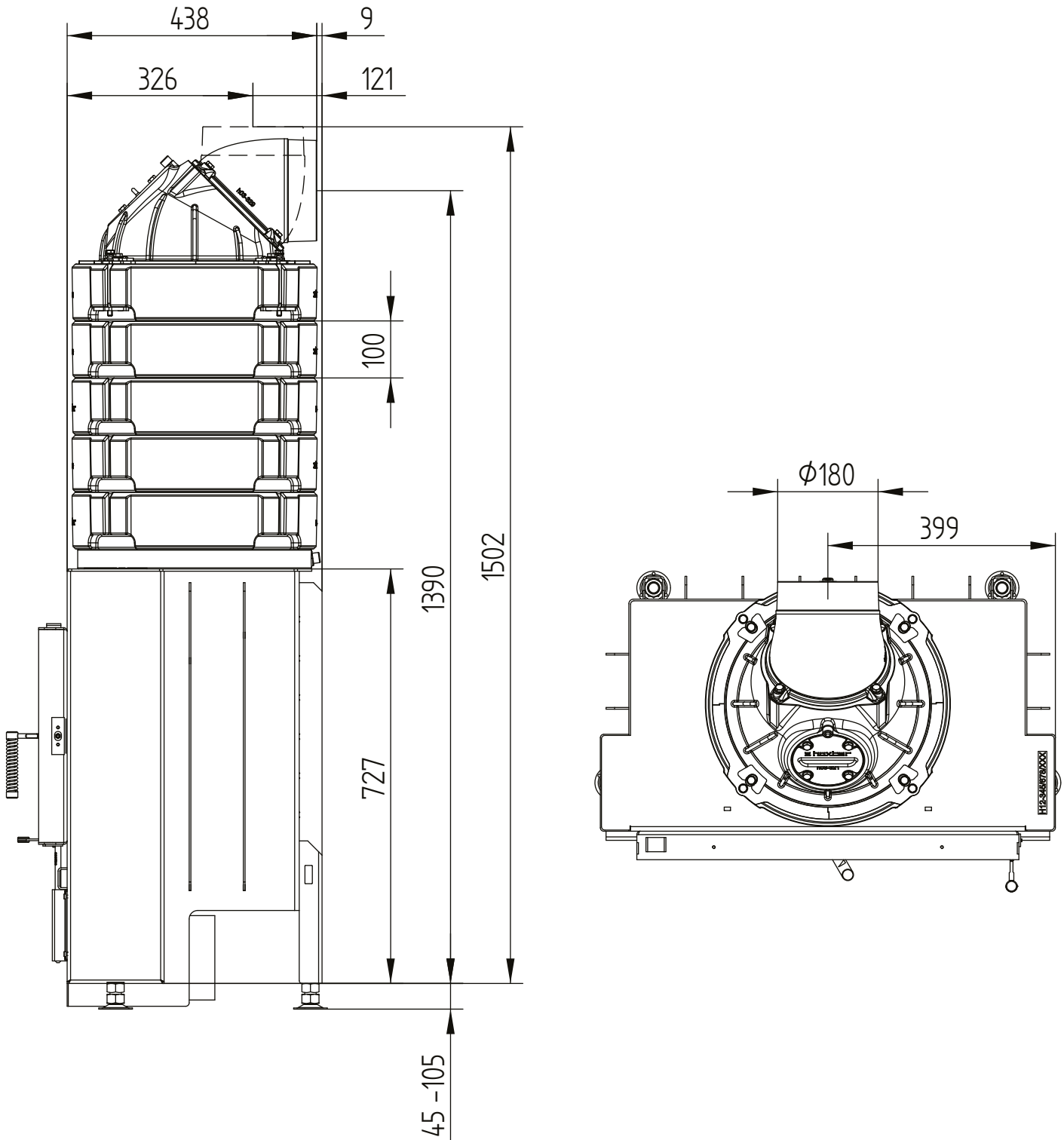


HAKA 67/38

Technical data
Version 2019/08

accumulation rings

M 1:10

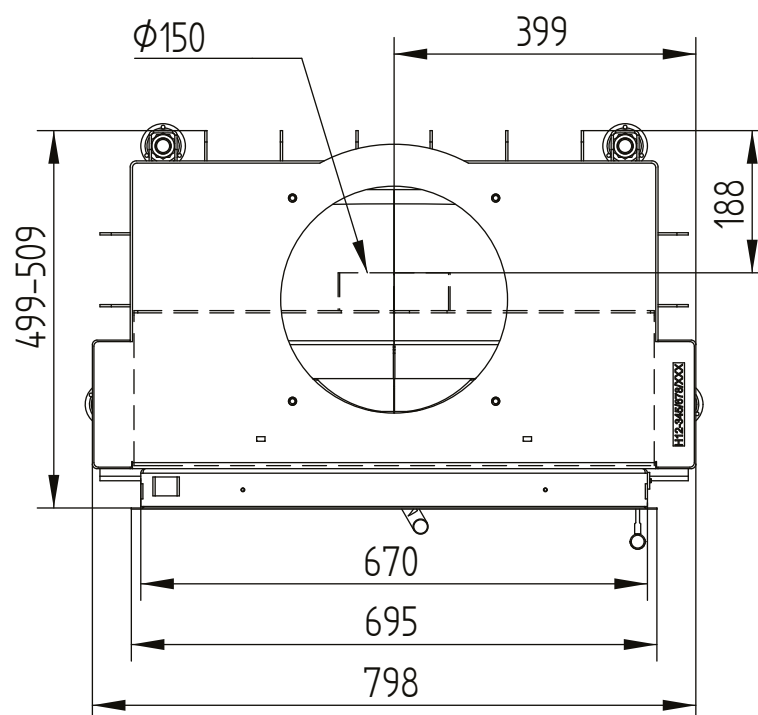
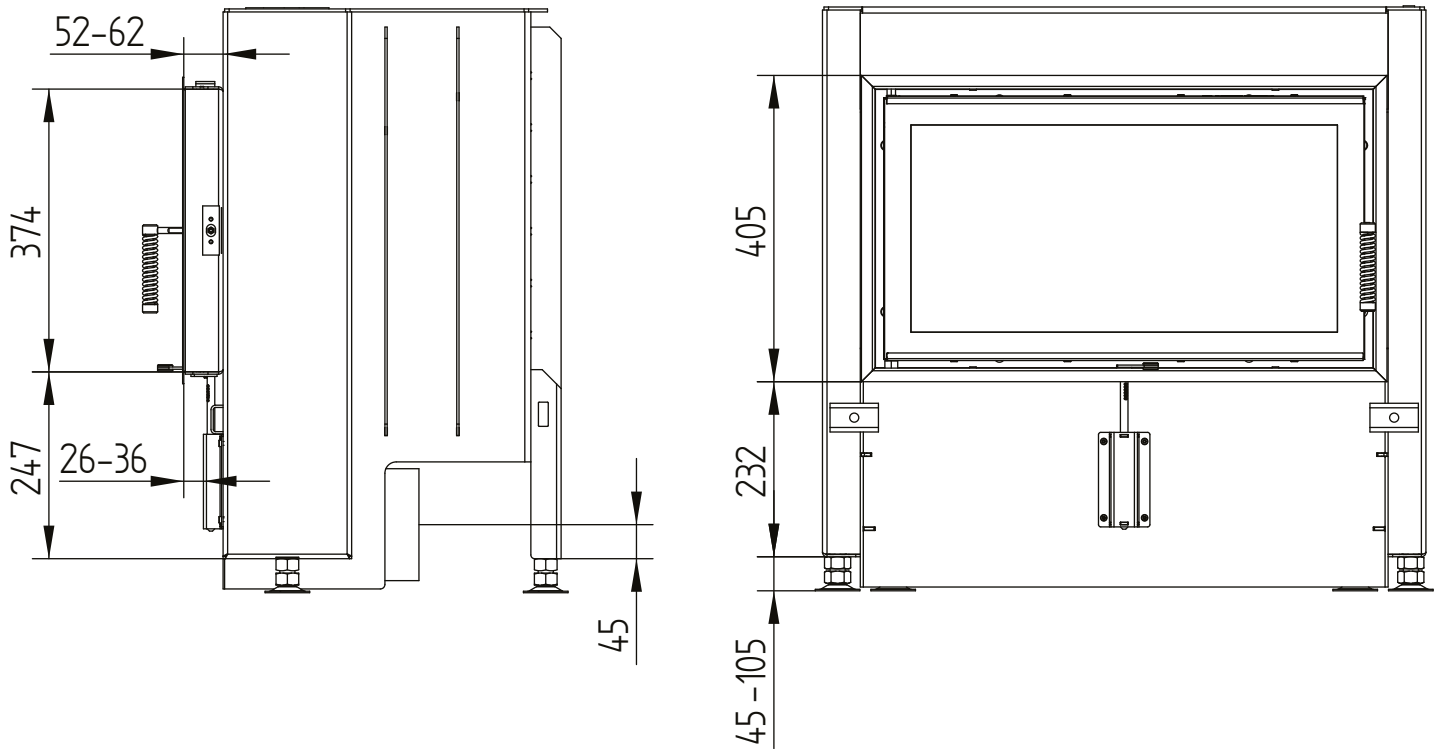


HAKA 67/38

Technical data
Version 2019/08

cover frame 67/38 4sides 1 x 90° 50 mm / air intake

M 1:10

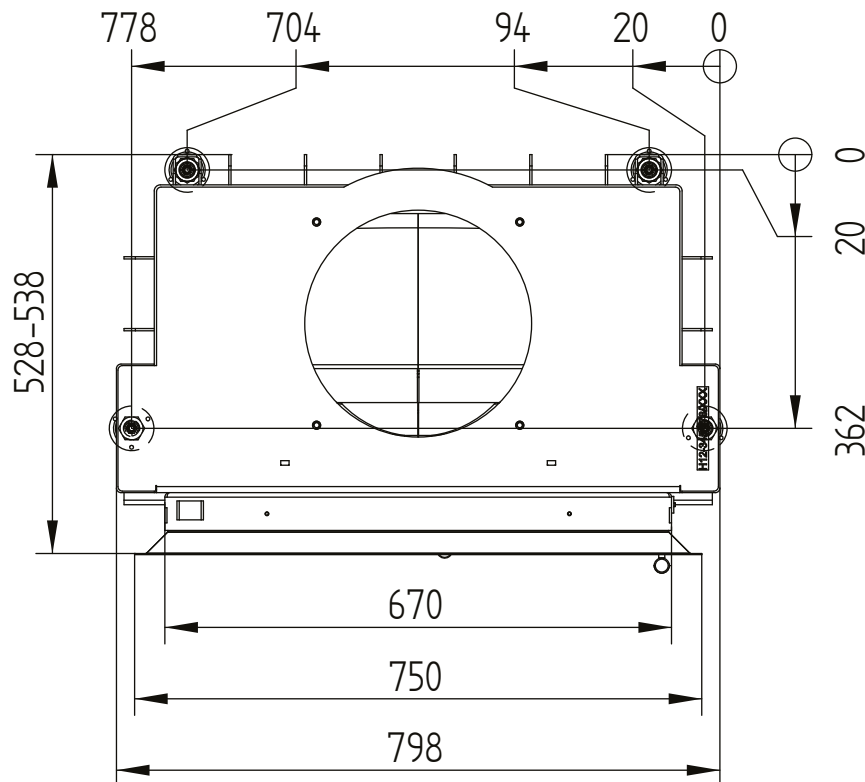
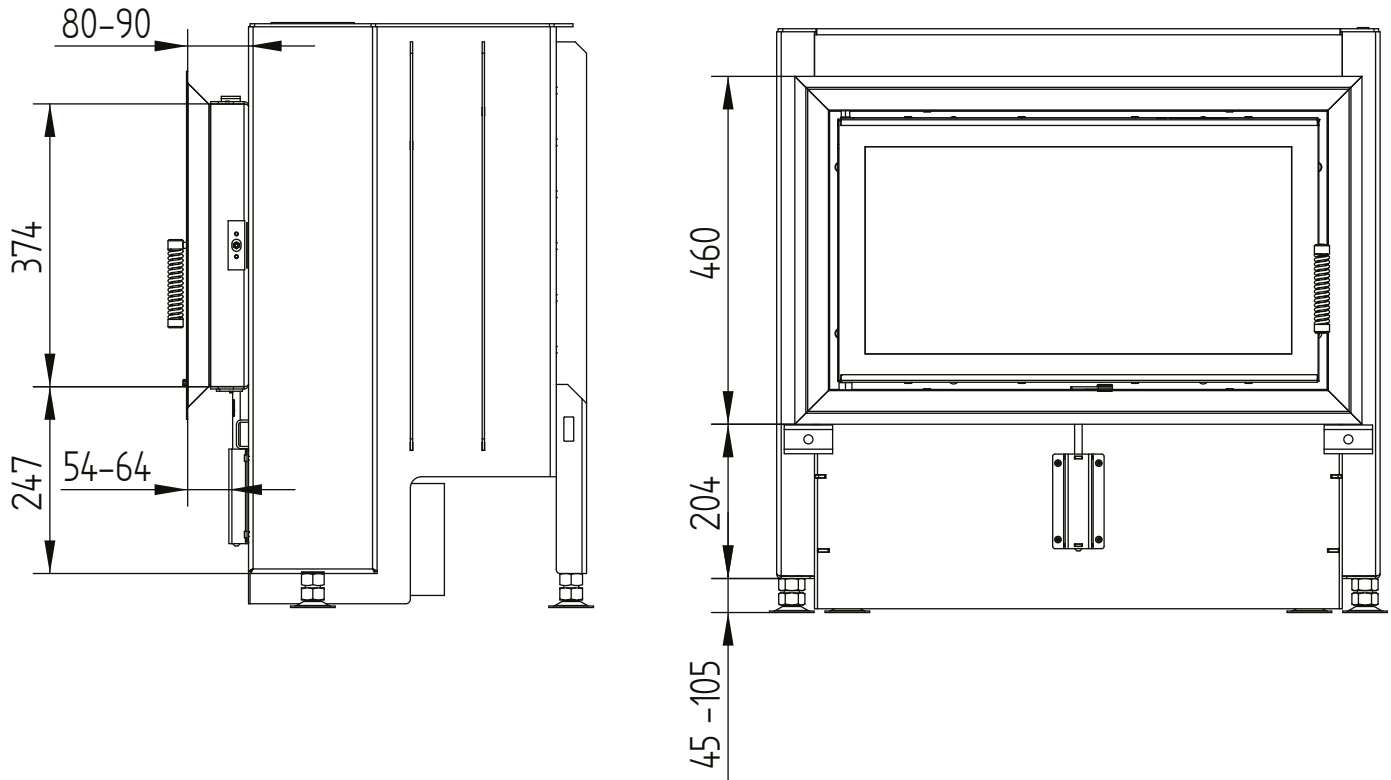


HAKA 67/38

Technical data
Version 2019/08

cover frame 67/38 4sides 2 x 45° 80 mm / feet

M 1:10



	operation when directly connected to chimney		operation when connected accumulation mass		
	cupola	hot air exchanger	cupola	adaptor	
Energy label	A+	A+	A+	A+	
Operating data					
Nominal heat power	7 kW	11 kW	----	----	
Efficiency	> 80 %	> 80 %	----	----	
Consumption of wood	2,1 kg/h	3,2 kg/h	8 kg	4,8 kg	8 kg
Total heat output of the burning chamber	----	----	30 kW	17 kW	30 kW
Mass flow of flue gas	6,5 g/s	8,6 g/s	25 g/s	13 g/s	20 g/s
Required chimney pressure	12 Pa	12 Pa	12 Pa	15 Pa	16 Pa
Required amount of combustion air	25 m ³ /h	30 m ³ /h	80 m ³ /h	60 m ³ /h	80 m ³ /h
Average flue gas temperature					
on the output	214 °C	217 °C	549 °C	385 °C	470 °C
past 5,3 m of ceramic accumulation system KMS 300 ¹	----	----	260 °C	----	
past accumulation rings (5x acc. ring Ø440mm)	----	----	----	216 °C	----
past accumulation rings (8x acc. ring Ø440mm)	----	----	----	----	260 °C
Heat distribution					
fireplace insert	70–82 %	70–82 %	40 %	35 %	
door glass (single / double)	30 / 18 %	30 / 18 %	30 / 18 %	30 / 18 %	
adjoining accumulation mass	----	----	30–42 %	35–47 %	
Information for ventilated builds					
Minimal grill area supply / outgoing	700 / 850 cm ²	950 / 1150 cm ²	950 / 1150 cm ²	950 / 1150 cm ²	
Minimum distance from insulated areas / floor	80 / 0 mm		80 / 0 mm		
Reference insulation ² ceiling / back wall / side wall / floor	140 / 100 / 100 / 0 mm		140 / 100 / 100 / 0 mm		
Calciumsilicate insulation ³ ceiling / back wall / side wall / floor	110 / 80 / 80 / 20 mm		110 / 80 / 80 / 20 mm		
Information for non-ventilated builds (closed grills)					
Minimum radiant area ⁴	5 m ²		6 m ²	5 m ²	6 m ²
Minimum distance from insulated areas / floor	80 / 20 mm		80 / 20 mm		
Reference insulation ² ceiling / back wall / side wall / floor	190 / 140 / 140 / 40 mm		190 / 140 / 140 / 40 mm		
Calciumsilicate insulation ³ ceiling / back wall / side wall / floor	140 / 110 / 110 / 20 mm		140 / 110 / 110 / 20 mm		
General technical information					
Total weight / lining weight	ca. 234 / 106 kg		ca. 234 / 106 kg		
Burning chamber dimensions (width x depth)	605 x 305 mm				
Combustion air connection	Ø 150 mm				
Use in non-ventilated accumulation builds according to craft rules	suitable				
Tested according to	EN 13229				
Meets values	1. BlmSchV (Stufe2), 15a BVG				

1 Listed value from testing. For accurate results is evaluation of each system in the Ortner / KOV program necessary.

2 Mineral wool according to AGI-Q 132

3 Example SkamoEnclousure Board 225 kg/m³

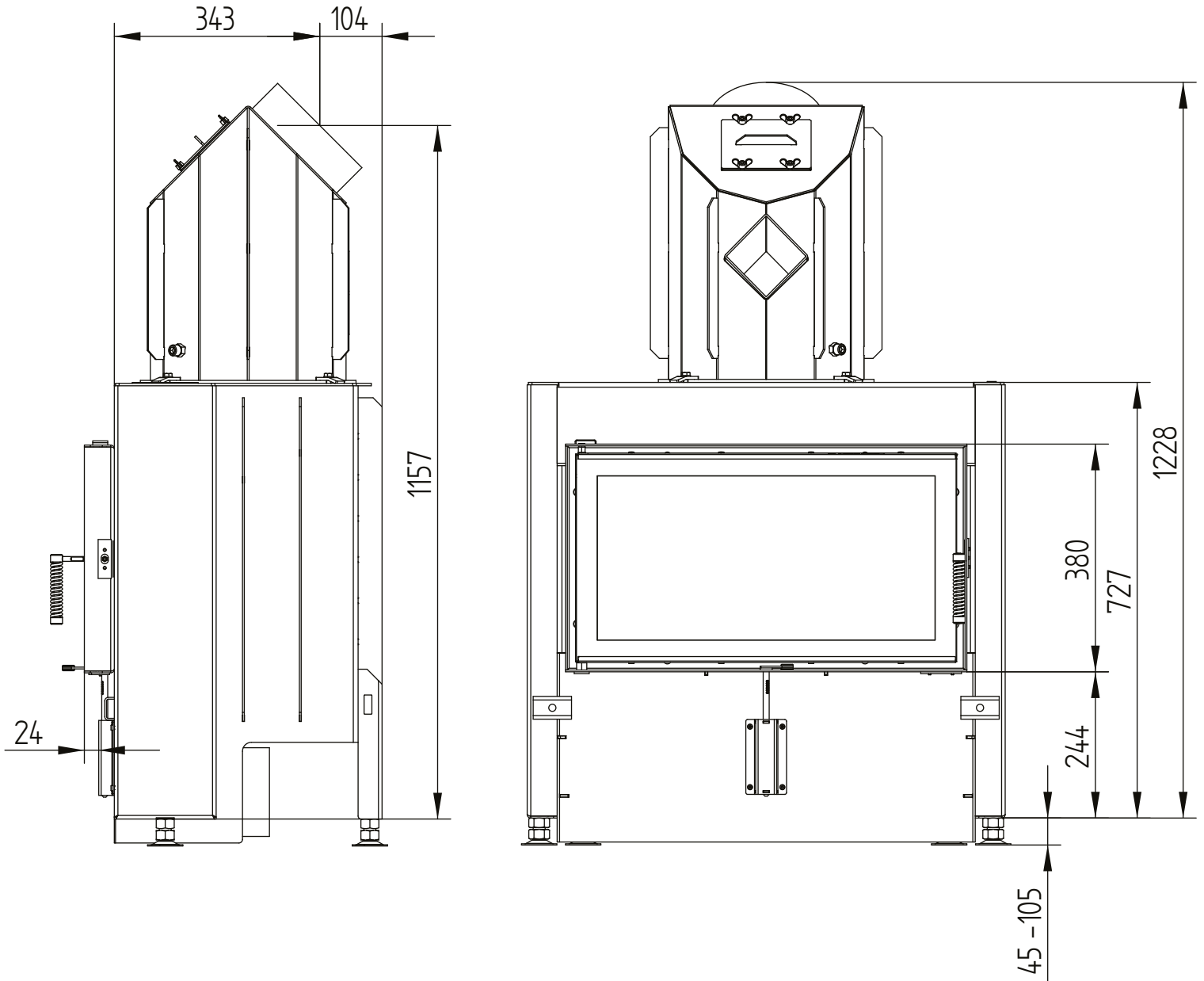
4 Depends on accumulation period and material characteristics. Listed values calculated with chamotte stone thickness 30 mm with radiant area 500 W/m²

HAKA 67/38N

Technical data
Version 2019/08

hot air exchanger 45°

M 1:10

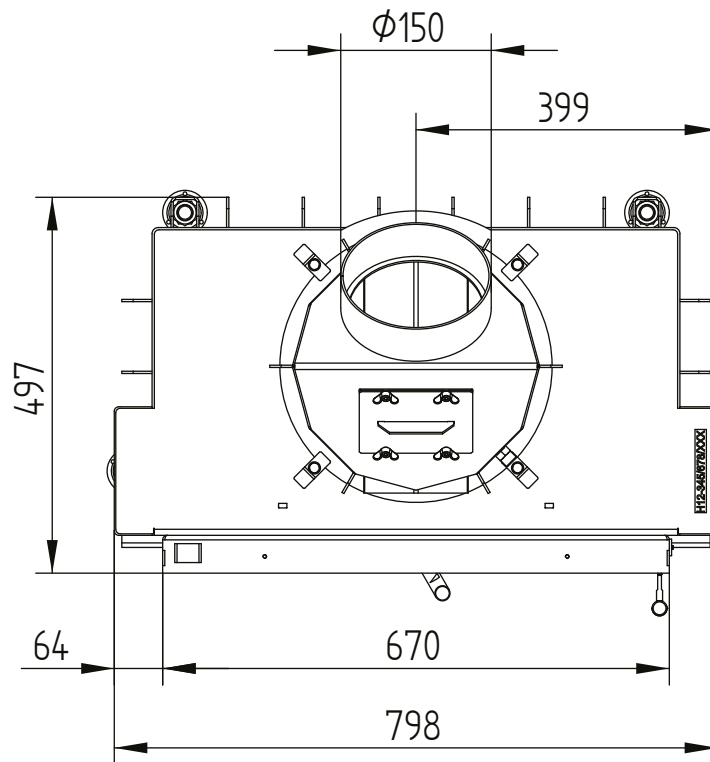


HAKA 67/38N

Technical data
Version 2019/08

hot air exchanger 45°

M 1:10

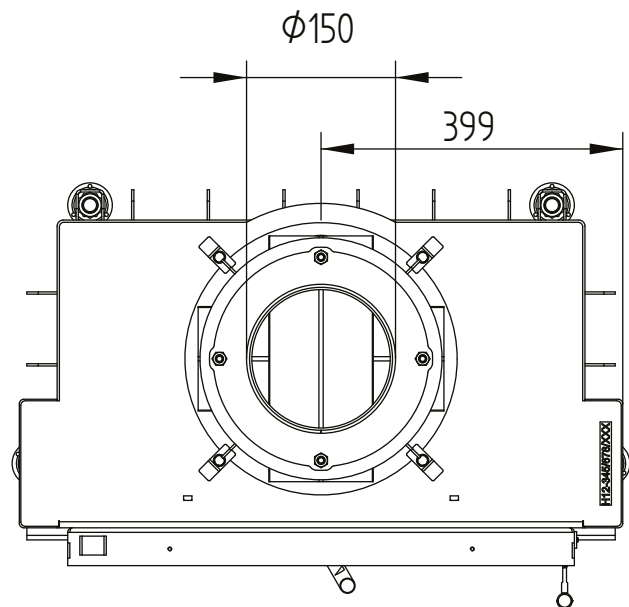
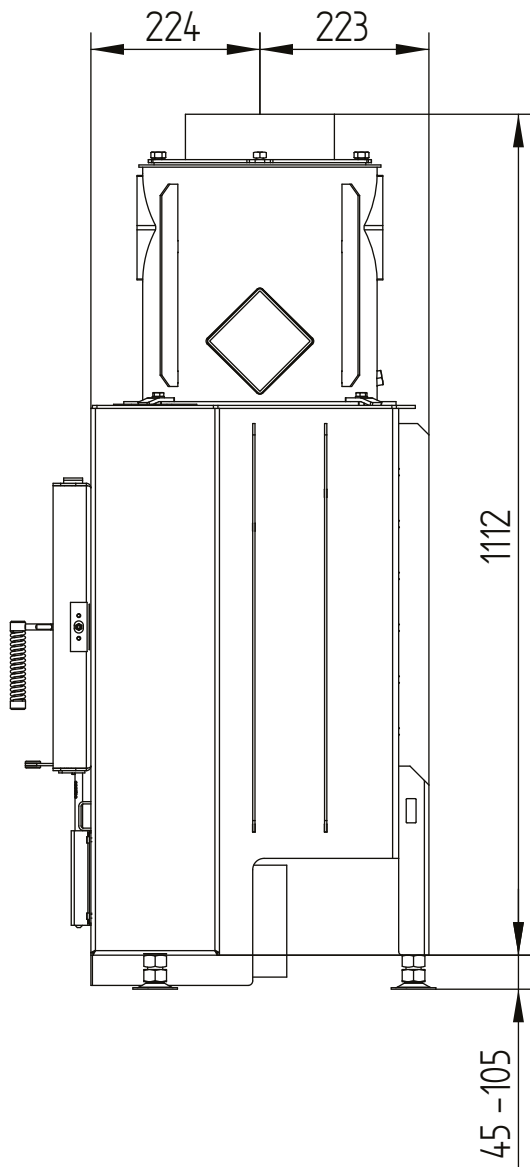


HAKA 67/38N

Technical data
Version 2019/08

hot air exchanger vertical

M 1:10

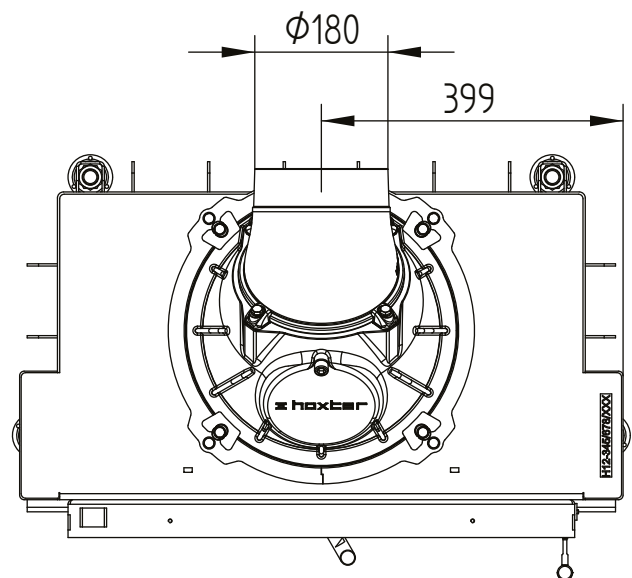
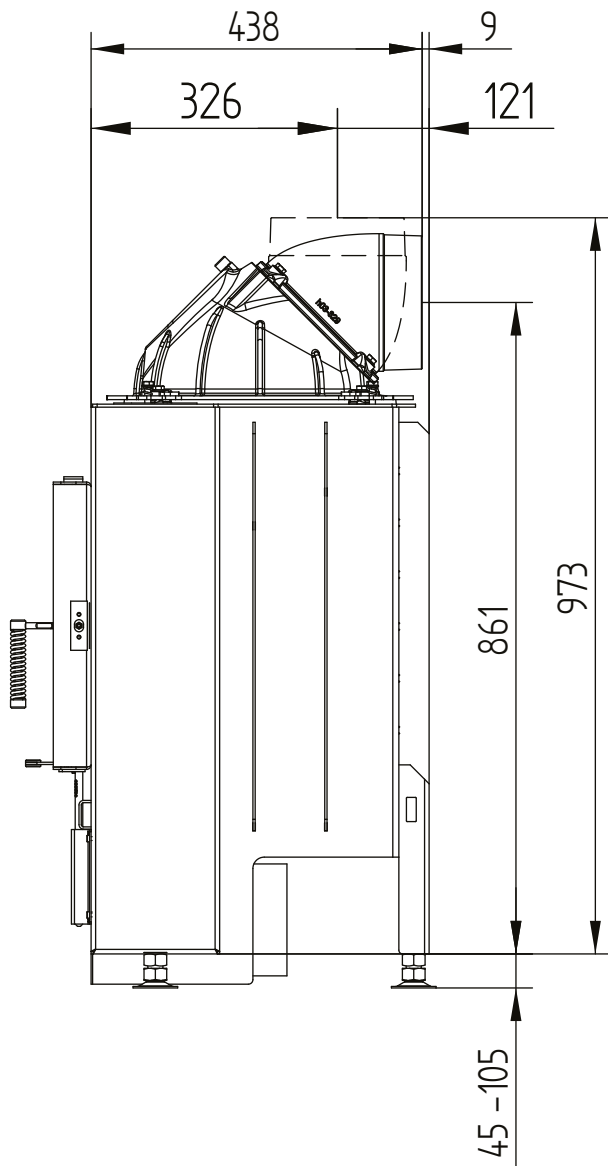


HAKA 67/38N

Technical data
Version 2019/08

cupola

M 1:10

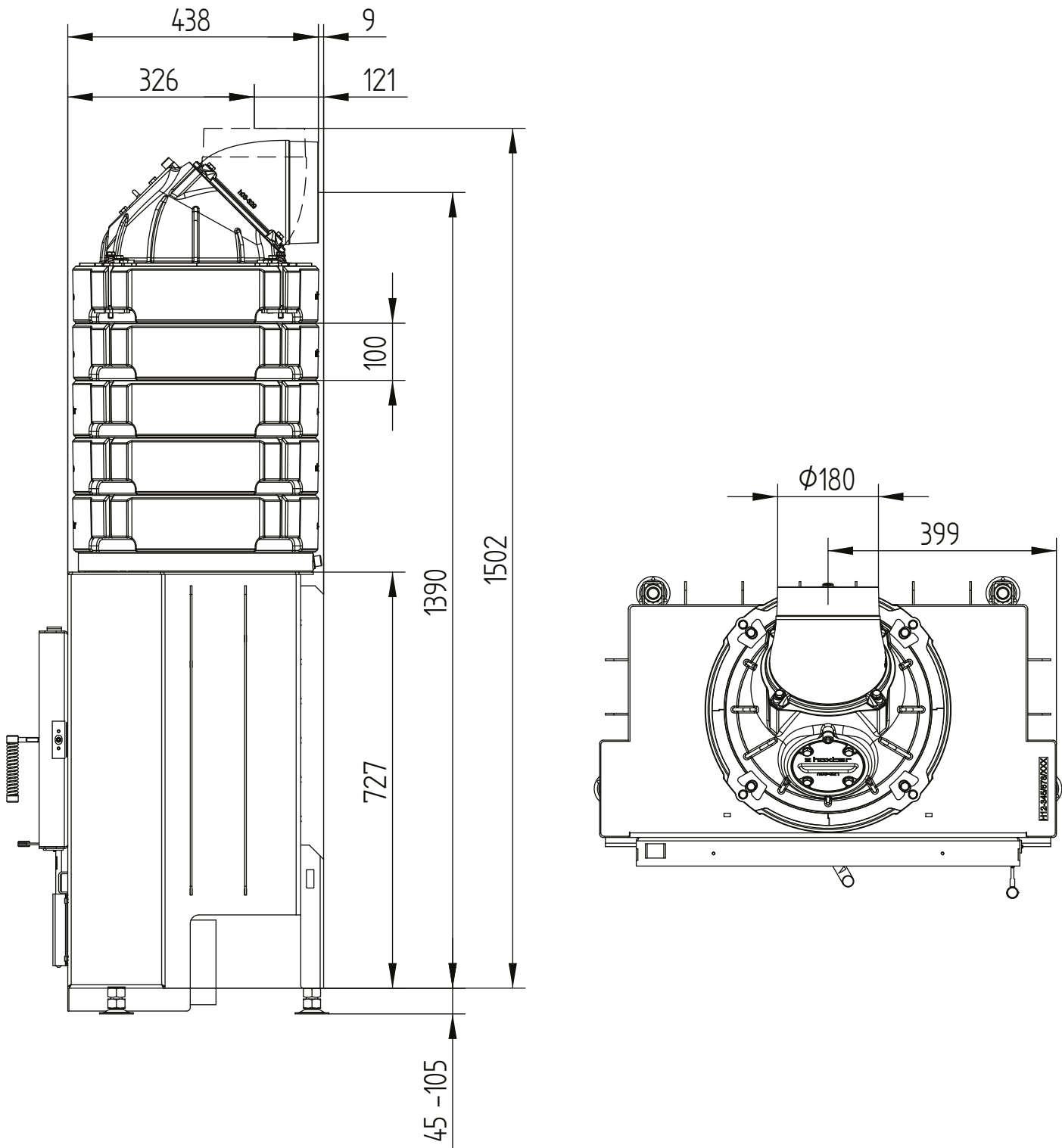


HAKA 67/38N

Technical data
Version 2019/08

accumulation rings

M 1:10

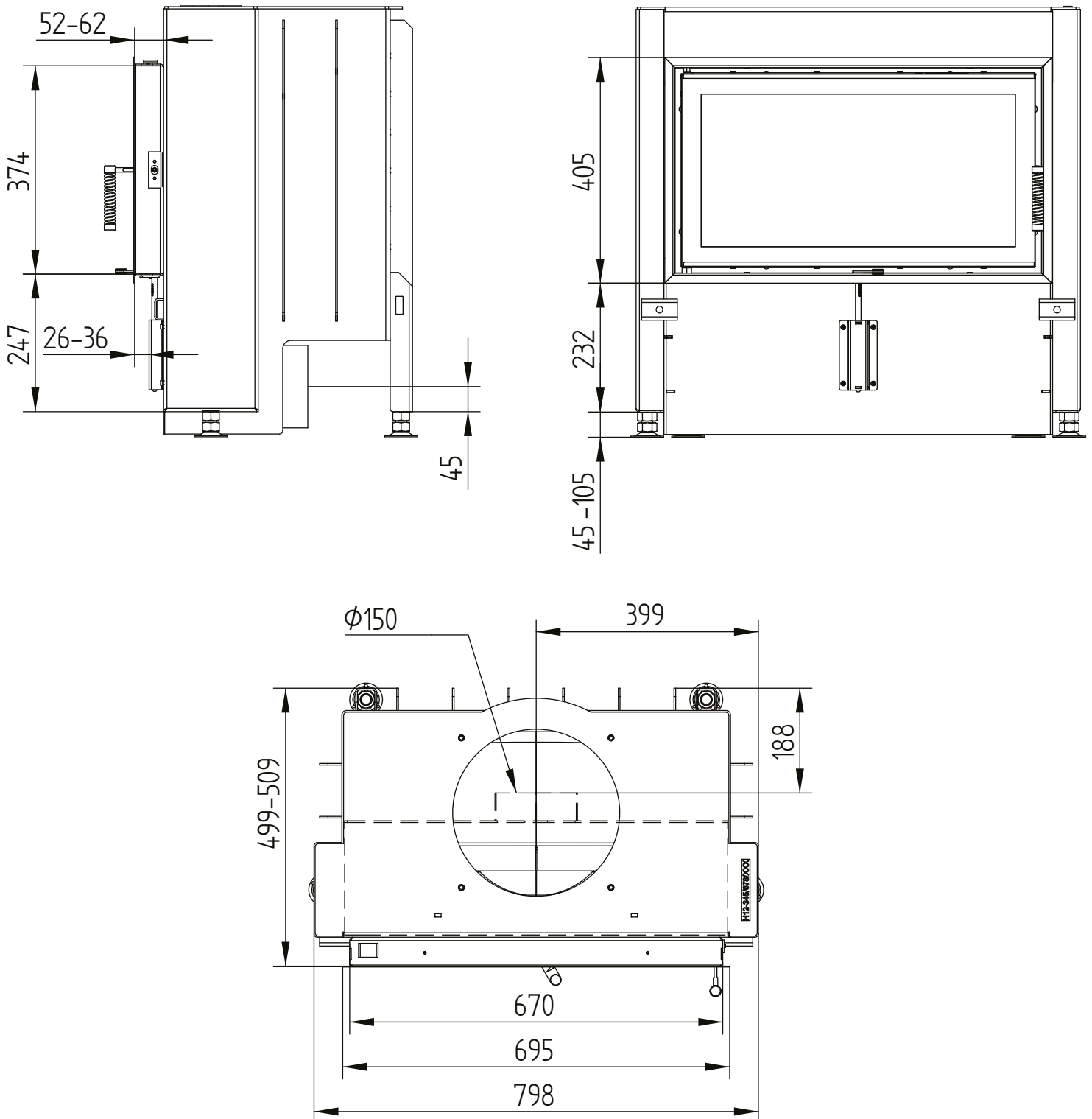


HAKA 67/38N

Technical data
Version 2019/08

cover frame 67/38 4sides 1 x 90° 50 mm / air intake

M 1:10



HAKA 67/38N

Technical data
Version 2019/08

cover frame 67/38 4sides 2 x 45° 80 mm / feet

M 1:10

